

5786152-3 ✓ ACTIVE

AMPLIMITE | AMPLIMITE 0.50 Series

TE Internal #: 5786152-3

D-Sub Backshells & Clamps, Backshell Kit, 68 Position, Shielded,

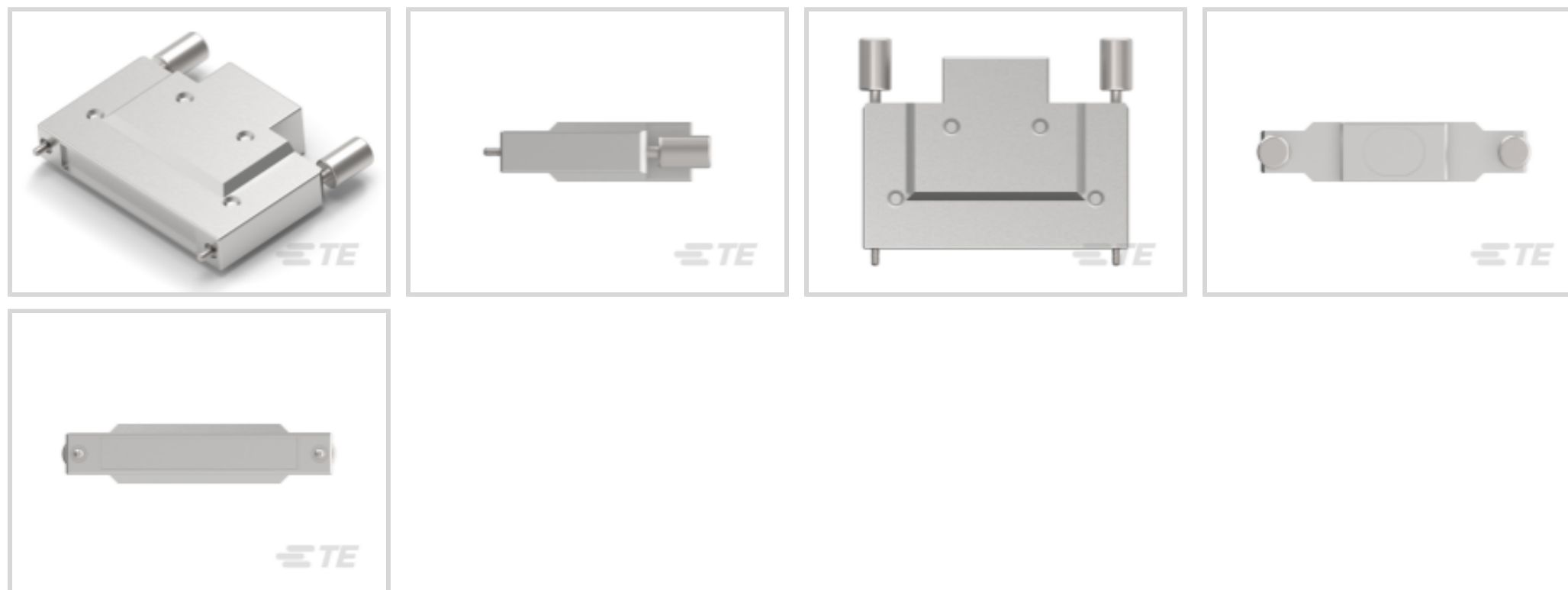
Compatible Insulation Diameter Range .55 in [13.97 mm],

AMPLIMITE 0.50 Series

[View on TE.com >](#)



Connectors > D-Shaped Connectors > D-Sub Accessories > D-Sub Backshells & Clamps



Protection & Strain Relief Accessory Type: **Backshell Kit**

Number of Positions: **68**

Shielded: **Yes**

Compatible Insulation Diameter Range: **13.97 mm [.55 in]**

Cable Exit Angle: **180°**

Features

Product Type Features

Connector Seal & Plug Type	Grommet Seal
Protection & Strain Relief Accessory Type	Backshell Kit

Configuration Features

Number of Positions	68
---------------------	----

Body Features

Backshell Material	Zinc
Strain Relief Feature Material	Carbon Steel
Backshell Plating Material	Tin over Nickel
Cable Exit Angle	180°

Mechanical Attachment

Screw & Hole Thread Size	2-56 UNC
--------------------------	----------

Dimensions

Compatible Insulation Diameter Range	13.97 mm[.55 in]
--------------------------------------	------------------



Operation/Application

Shielded	Yes
----------	-----

Packaging Features

Packaging Quantity	1
Packaging Method	Individual, Package

Other

Connector Accessory Comment	Each backshell kit includes upper and lower backshells, two jackscrews, one strain relief staple and two 2-56 screws. All are packaged unassembled
-----------------------------	--

Product Compliance

[For compliance documentation, visit the product page on TE.com>](#)

EU RoHS Directive 2011/65/EU	Compliant
EU ELV Directive 2000/53/EC	Compliant
China RoHS 2 Directive MIIT Order No 32, 2016	No Restricted Materials Above Threshold
EU REACH Regulation (EC) No. 1907/2006	Current ECHA Candidate List: JAN 2023 (233) Candidate List Declared Against: JAN 2023 (233) Does not contain REACH SVHC
Halogen Content	Low Halogen - Br, Cl, F, I < 900 ppm per homogenous material. Also BFR/CFR/PVC Free
Solder Process Capability	Not applicable for solder process capability

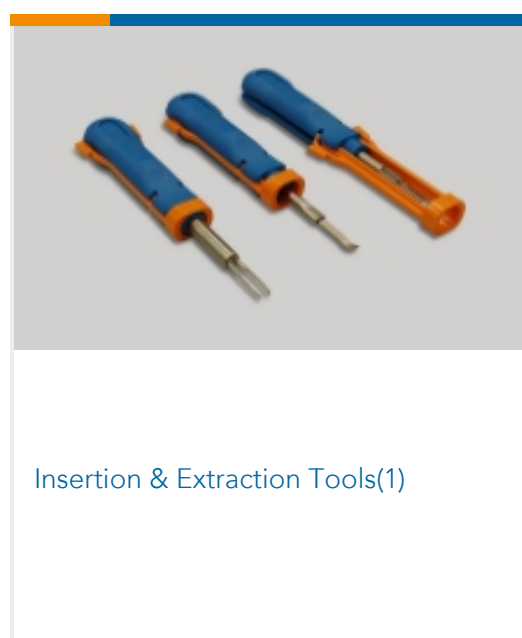
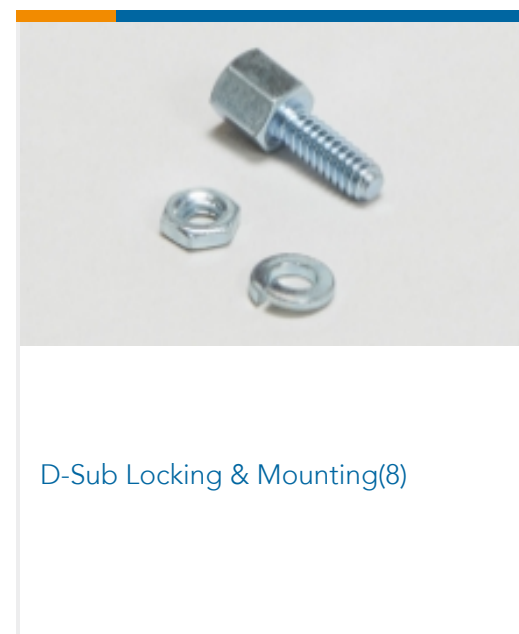
Product Compliance Disclaimer

This information is provided based on reasonable inquiry of our suppliers and represents our current actual knowledge based on the information they provided. This information is subject to change. The part numbers that TE has identified as EU RoHS compliant have a maximum concentration of 0.1% by weight in homogenous materials for lead, hexavalent chromium, mercury, PBB, PBDE, DBP, BBP, DEHP, DIBP, and 0.01% for cadmium, or qualify for an exemption to these limits as defined in the Annexes of Directive 2011/65/EU (RoHS2). Finished electrical and electronic equipment products will be CE marked as required by Directive 2011/65/EU. Components may not be CE marked. Additionally, the part numbers that TE has identified as EU ELV compliant have a maximum concentration of 0.1% by weight in homogenous materials for lead, hexavalent chromium, and mercury, and 0.01% for cadmium, or qualify for an exemption to these limits as defined in the Annexes of Directive 2000/53/EC (ELV). Regarding the REACH Regulation, the information TE provides on SVHC in articles for this part number is based on the latest European Chemicals Agency (ECHA) 'Guidance on requirements for substances in articles' posted at this URL: <https://echa.europa.eu/guidance-documents/guidance-on-reach>

Compatible Parts



Also in the Series | **AMPLIMITE 0.50 Series**



Customers Also Bought





Documents

Product Drawings

[68 50SR BKSHL KIT W/JS,UNPNTD,](#)

English

CAD Files

[3D PDF](#)

3D

Customer View Model

[ENG_CVM_CVM_5786152-3_A.2d_dxf.zip](#)

English

Customer View Model

[ENG_CVM_CVM_5786152-3_A.3d_igs.zip](#)

English

Customer View Model

[ENG_CVM_CVM_5786152-3_A.3d_stp.zip](#)

English

By downloading the CAD file I accept and agree to the [Terms and Conditions](#) of use.

Datasheets & Catalog Pages

[AMPLIMITE Subminiature D Connectors - .050 Series Connector](#)

English

[AMPLIMITE .050 Series D-sub Connectors QRG](#)

English

Product Specifications

[Application Specification](#)

English

5786152-3

D-Sub Backshells & Clamps, Backshell Kit, 68 Position, Shielded, Compatible
Insulation Diameter Range .55 in [13.97 mm], AMPLIMITE 0.50 Series

