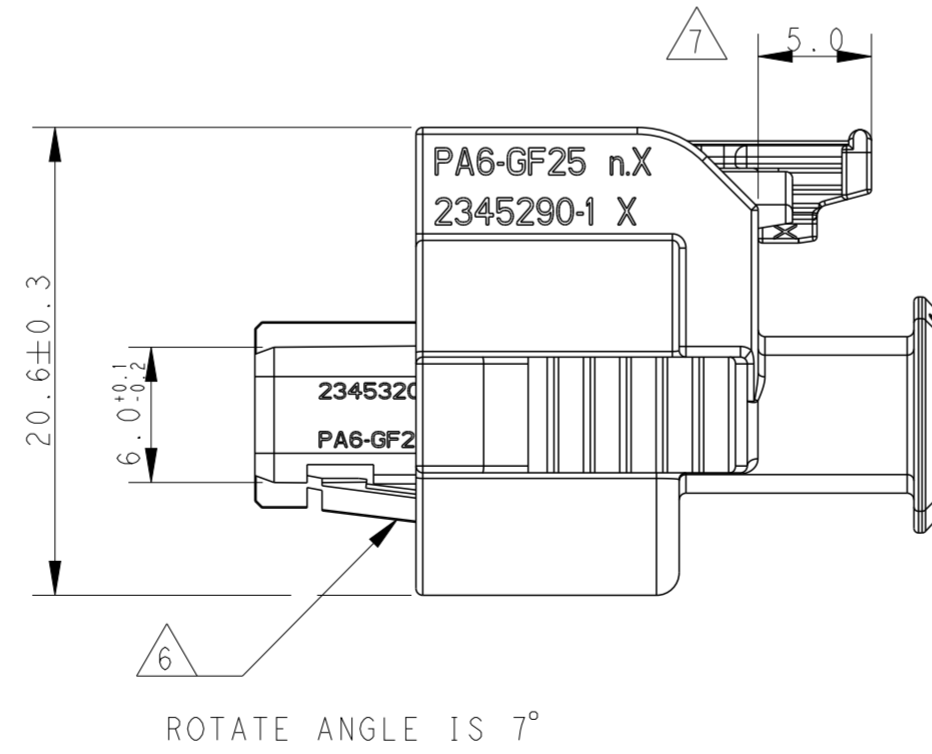
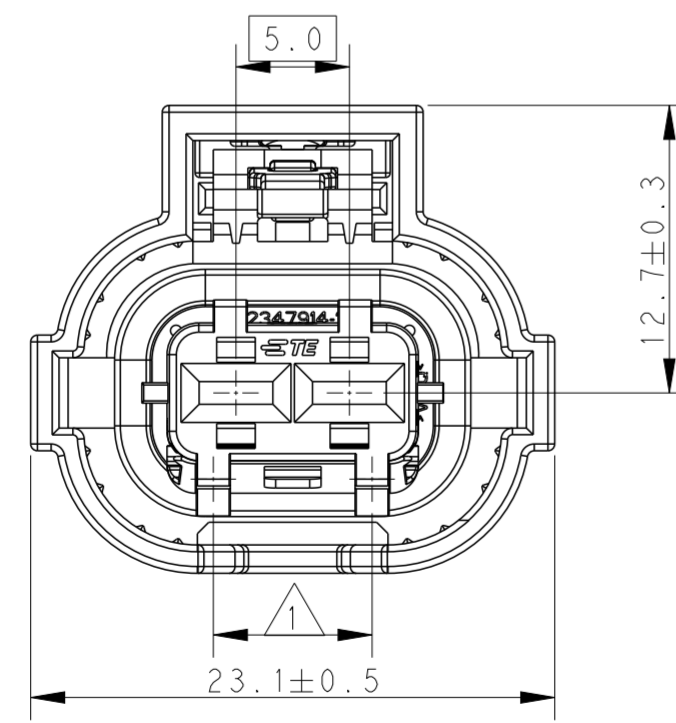
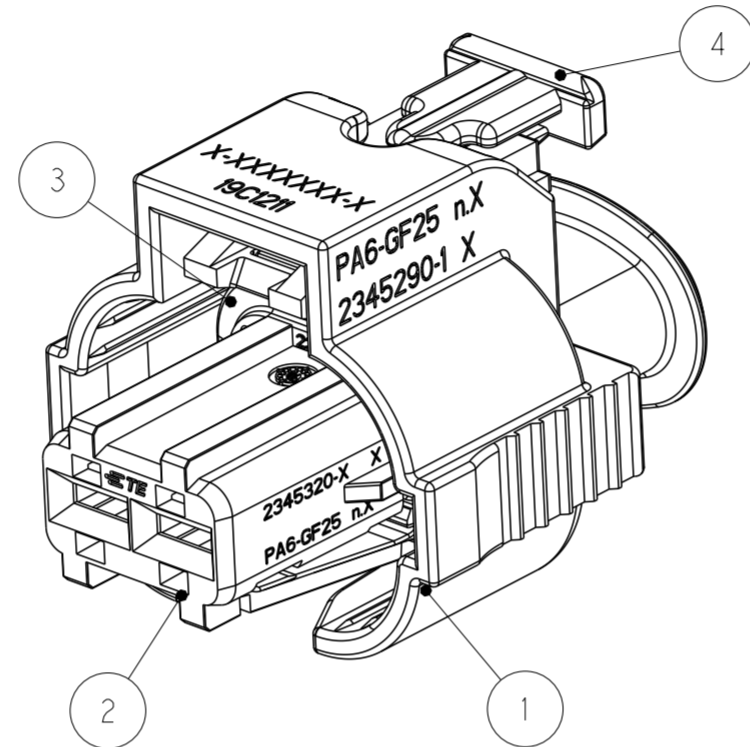
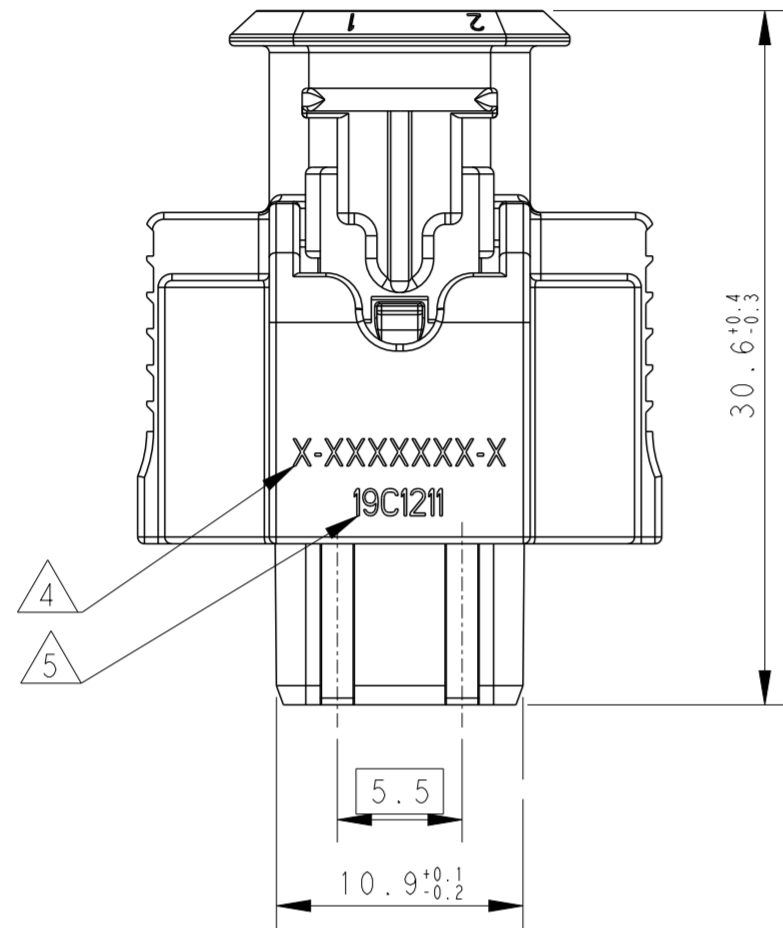


THIS DRAWING IS UNPUBLISHED. RELEASED FOR PUBLICATION 20
 © COPYRIGHT 20 BY TYCO ELECTRONICS CORPORATION ALL RIGHTS RESERVED.

REVISIONS					
P	LTR	DESCRIPTION	DATE	DWN	APVD
A		INITIAL RELEASED	26APR2019	DZ	EJ
A1		REVISE DRAWING	09DEC2019	S.Z	E.J
B		REVISE DRAWING	12NOV2020	S.Z	I.Y
C		REVISE DRAWING	09APR2022	S.Y	Z.Z



1. CODING IS AS FOLLOWS. SEE TABLE 1.

2. APPLIED RECEPTACLE CONTACT P/N:

DESCRIPTION	2.8mm SENSOR-FLAT RECEPTACLE OR EQUIVALENT
PART NO.	967542 OR EQU 967543 OR EQU
WIRE SIZE	0.5-1.0 >1.0~2.5

3. APPLIED WIRE SEAL P/N:

DESCRIPTION	SINGLE-WIRE SEAL (5mm HOLE)
PART NO.	828904 828905
INSULATION DIA. (Ø)	1.2~2.1mm 2.2~3.0mm

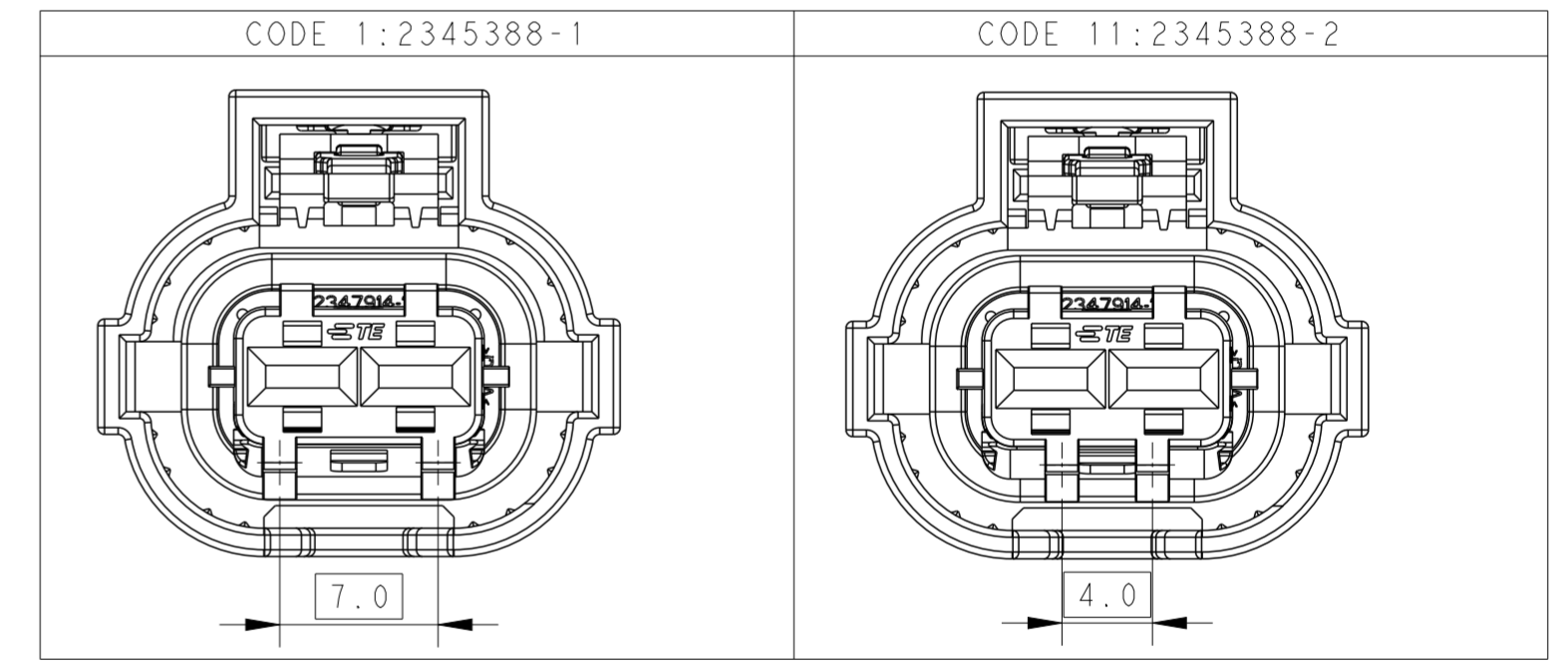
4. LASERPRINT MARK THE PRODUCT PART NUMBER, CHARACTER SIZE APPROX 1.2MM RAISE. CHARACTER LOCATION AND ORIENTATION AS SHOWN

5. LASERPRINT MARK DATE CODE: IDENTIFIES THE YEAR, MONTH, DAY AND HOUR OF ASSEMBLY.
 YEAR: FIRST AND SECOND DIGITS (17=2017)
 MONTH: THIRD DIGIT, EXCLUDING 1, A=JAN, B=FEB, C=MARCH... (K=OCTOBER)
 DAY: FOURTH AND FIFTH DIGITS (14=14th DAY)
 HOUR: SIXTH AND SEVENTH DIGITS (11=11AM)

6. SUPPLY CONDITION: HINGE IN PRELOCKED POSITION

7. SUPPLY CONDITION: CPA IN PRELOCKED POSITION

TABLE 1



1	1	PC	RED	PA46-GF15	CPA	4
1	1	PC	GREEN	SILICON	INNER SEAL	3
1		PC	YELLOW	PA6-GF25	CODE 11	2
	1	PC	BLUE	PA6-GF25	CODE 1	2
1	1	PC	BLACK	PA6-GF25	HOUSING	1
-2	-1	U/M	COLOR	MATERIAL	DESCRIPTION	ITEM
C	C	REVISION OF EACH ASSY NO.				
4.4	4.4	WEIGHT OF EACH ASSY NO. [g]				
QTY PER ASSY		PARTS LIS				

THIS DRAWING IS A CONTROLLED DOCUMENT.

DWN: D. ZHAO 26APR2019
 CHK: E. JIANG 26APR2019
 APVD: I. YIN 26APR2019

STE TE Connectivity

NAME: SEALED-2P-PLUG-ASSEMBLY (FLAT SENSOR CONNECTOR)

PRODUCT SPEC: 108-32584
 APPLICATION SPEC: 114-160078

MATERIAL: SEE TABLE
 TOLERANCES UNLESS OTHERWISE SPECIFIED:
 0 PLC ±0.3
 1 PLC ±
 2 PLC ±
 3 PLC ±
 4 PLC ±
 ANGLES ±5
 FINISH N/A

SIZE: A2
 CAGE CODE: C-2345388
 DRAWING NO: C-2345388

CUSTOMER DRAWING
 SCALE: 2:1
 SHEET: 1 OF 1
 REV: C

Mouser Electronics

Authorized Distributor

Click to View Pricing, Inventory, Delivery & Lifecycle Information:

[TE Connectivity:](#)

[2345388-1](#)