

Active electronic switch



Colour of Housing: red (No illumination)



Colour of Housing: green (no illumination)



Lateral illumination: blue

See below:

[Approvals and Compliances](#)

**Description**

- Active electronic switch (LA) / pushbutton (MO) without moving parts
- Triggering of the switching mechanism by light pressure on the switching surface
- Multicolor illumination
- Unilluminated variants in different colors

**Unique Selling Proposition**

- Small installation depth
- Variable input voltage
- Trendy design

**Characteristics**

- Side illumination
- Wearless - no moving parts

**Weblinks**

[pdf data sheet](#), [html datasheet](#), [General Product Information](#), [CAD-Drawings](#), [Product News](#), [Detailed request for product](#)

**Technical Data**

**Electrical Data**

Switching Function	momentary (MO) or latching (LA)
Switching Voltage	max. 60 VDC
Switching Current	max. 100 mA
Electrical Rating	1 W
Switch Resistance OFF	> 10 MΩ
Switch Resistance ON	< 20 Ω
Supply Voltage	5 - 28 VDC
Reverse Polarity Protection	yes
Short Circuit Protection	yes
Lifetime	>20 million actuations

**Mechanical Data**

Actuating Force	1 - 3 N
Shock Protection	IK06
Mounting Depth	8 mm
Tightening Torque Plastic Nut	2.5 Nm

**Climatical Data**

Operating Temperature	-40 to 85 °C
Storage Temperature	-40 to 85 °C
IP Protection Class Front Side	IP67 acc. to IEC 60529
Salt Spray Test (acc. to IEC60068-2-11)	96 h Residence Time

**Material**

Housing	PMMA
Actuator	Stainless Steel
Illuminated ring	PMMA
Rear cover	PC
Mounting Nut	PBT GF30





**Approvals and Compliances**

Detailed information on product approvals, code requirements, usage instructions and detailed test conditions can be looked up in [Details about Approvals](#)

SCHURTER products are designed for use in industrial environments. They have approvals from independent testing bodies according to national and international standards. Products with specific characteristics and requirements such as required in the automotive sector according to IATF 16949, medical technology according to ISO 13485 or in the aerospace industry can be offered exclusively with customer-specific, individual agreements by SCHURTER.

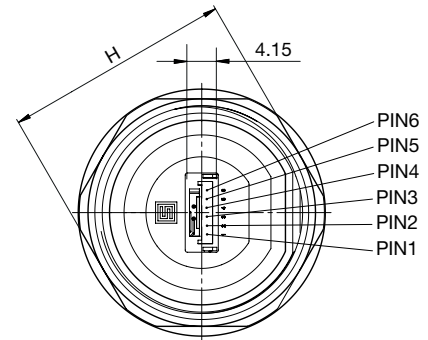
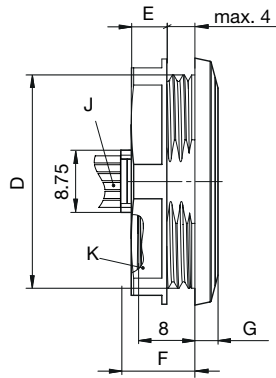
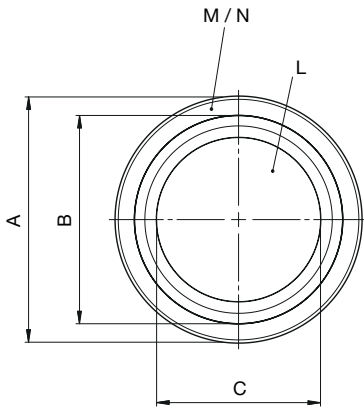
**Compliances**

The product complies with following Guide Lines

Identification	Details	Initiator	Description
	<a href="#">CE declaration of conformity</a>	SCHURTER AG	The CE marking declares that the product complies with the applicable requirements laid down in the harmonisation of Community legislation on its affixing in accordance with EU Regulation 765/2008.
	<a href="#">UKCA declaration of conformity</a>	SCHURTER AG	The UKCA marking declares that the product complies with the applicable requirements laid down in the British Amendment of Regulation (EC) 765/2008.
	RoHS	SCHURTER AG	Directive RoHS 2011/65/EU, Amendment (EU) 2015/863
	REACH	SCHURTER AG	On 1 June 2007, Regulation (EC) No 1907/2006 on the Registration, Evaluation, Authorization and Restriction of Chemicals 1 (abbreviated as "REACH") entered into force.

**Dimension [mm]**

No illumination / Lateral illumination

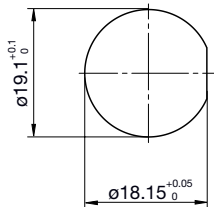


Suitable for connector: JST GHR-04V-S

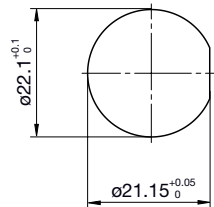
	MSS19	MSS22	MSS30
A	ø22.00mm	ø25.50mm	ø34.75mm
B	ø18.55mm	ø21.50mm	ø29.30mm
C	ø14.70mm	ø16.90mm	ø23.10mm
D	M 19x0.75	M 22x1.00	M 30x1.50
E	4.00mm	4.00mm	5.00mm
F	11.30mm	11.10mm	10.40mm
G	2.00mm	2.40mm	3.25mm
H	SW / AF 22.00mm	SW / AF 24.00mm	SW / AF 32.00mm
J	Stranded wire		
K	Nut (Plastic)		
L	Actuator (Stainless steel)		
M	Lightguide (Plastic)		
N	Bezel (Plastic)		

**Dimension**

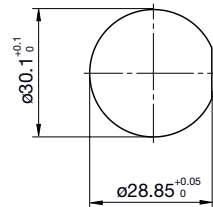
MSS19 Mounting hole



MSS22 Mounting hole

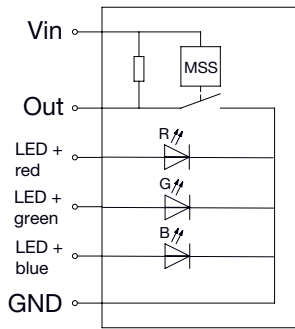


MSS30 Mounting hole



Diagrams

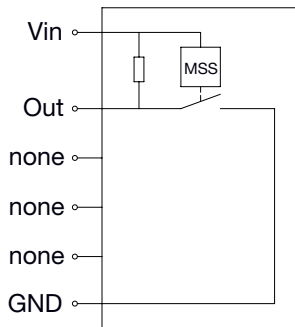
Illuminated



Illuminated

Connection assignment		
PIN-number	Wire color	Function
1	Brown BN	Vin = 5 VDC...28 VDC
2	Black BK	GND
3	White WT	Out
4	Blue BL	LED blue
5	Green GN	LED green
6	Red RD	LED red

Non-illuminated



Non-illuminated

Connection assignment		
PIN-number	Wire color	Function
1	Brown BN	Vin = 5 VDC...28 VDC
2	Black BK	GND
3	White WT	Out
4	Not used	
5	Not used	
6	Not used	

Lateral illumination

Operating Data	Forward Voltage min.	Forward Voltage max.
LED red	1.7 V	2.4 V
LED green	2.6 V	3.2 V
LED blue	2.6 V	3.2 V
Forward current (at +25°C) <sup>1)</sup>		50 mA
Forward current (at +85°C) <sup>1)</sup>		10 mA

1) Linear forward current derating curve

M	M	S	-	19	-	MO	NO	A10	-	C0	LI	RGB	00R	C0	-	P2	OQ	B	S0	NC	WF	-	0	000	K
				1		2	3	4		5	6	7	8	9		10	11	12	13	14	15		16	17	18

<b>Diameter</b>			<b>1</b>
19 mm	=	19	
22 mm	=	22	
30 mm	=	30	
<b>Switch type</b>			<b>2</b>
Momentary	=	MO	
Latching	=	LA	
<b>Switch function</b>			<b>3</b>
Normally open	=	NO	
<b>Rated current</b>			<b>4</b>
100mA	=	A10	
<b>Terminal - Switch</b>			<b>5</b>
Connector integrated	=	C0	
<b>Illumination type</b>			<b>6</b>
Lateral illumination	=	LI	
No illumination	=	00	
<b>Illumination color</b>			<b>7</b>
Multicolor	=	RGB	
No illumination	=	000	
<b>Supply voltage illumination</b>			<b>8</b>
w/o resistors	=	00R	
None	=	000	
<b>Terminal illumination</b>			<b>9</b>
Connector integrated	=	C0	
None	=	00	
<b>Housing material</b>			<b>10</b>
PMMA	=	P2	
PMMA colored	=	P3	
<b>Housing color</b>			<b>11</b>
Red	=	RD	
Green	=	GN	
Blue	=	BL	
Black	=	BK	
Grey	=	GE	
Yellow	=	YL	
White	=	WT	
Orange	=	OR	
Translucent	=	OQ	

<b>Mounting</b>			<b>12</b>
Thread (M) w/anti-rotation-protection	=	B	
<b>Actuator material</b>			<b>13</b>
Stainless steel	=	S0	
<b>Actuator color</b>			<b>14</b>
Natural	=	NC	
<b>Actuator style</b>			<b>15</b>
Finger guide flat	=	WF	
<b>Lettering type</b>			<b>16</b>
None	=	0	
<b>Marking type</b>			<b>17</b>
None	=	000	
<b>Accessories</b>			<b>18</b>
Hex nut plastic	=	K	

## All Variants

Diameter [mm]	Rated Current [A]	Illumination type	Illumination color	Colour of Housing	Switching Function	Suitable cable	Order Number
19	100 mA	Without	No illumination	blue	latching (LA)	3 Wires	3-126-736
19	100 mA	Without	No illumination	black	latching (LA)	3 Wires	3-126-737
19	100 mA	Without	No illumination	grey	latching (LA)	3 Wires	3-126-738
19	100 mA	Without	No illumination	white	latching (LA)	3 Wires	3-126-740
19	100 mA	Without	No illumination	red	latching (LA)	3 Wires	3-126-734
19	100 mA	Without	No illumination	green	latching (LA)	3 Wires	3-126-735
19	100 mA	Without	No illumination	yellow	latching (LA)	3 Wires	3-126-739
19	100 mA	Without	No illumination	orange	latching (LA)	3 Wires	3-126-741
19	100 mA	Lateral illumination	Multicolor	translucent	latching (LA)	6 Wires	3-126-723
19	100 mA	Without	No illumination	blue	momentary (MO)	3 Wires	3-126-728
19	100 mA	Without	No illumination	black	momentary (MO)	3 Wires	3-126-729
19	100 mA	Without	No illumination	grey	momentary (MO)	3 Wires	3-126-730
19	100 mA	Without	No illumination	white	momentary (MO)	3 Wires	3-126-732
19	100 mA	Without	No illumination	red	momentary (MO)	3 Wires	3-126-726
19	100 mA	Without	No illumination	green	momentary (MO)	3 Wires	3-126-727
19	100 mA	Without	No illumination	yellow	momentary (MO)	3 Wires	3-126-731
19	100 mA	Without	No illumination	orange	momentary (MO)	3 Wires	3-126-733
19	100 mA	Lateral illumination	Multicolor	translucent	momentary (MO)	6 Wires	3-126-722
22	100 mA	Without	No illumination	blue	latching (LA)	3 Wires	3-126-772
22	100 mA	Without	No illumination	black	latching (LA)	3 Wires	3-126-773
22	100 mA	Without	No illumination	grey	latching (LA)	3 Wires	3-126-774
22	100 mA	Without	No illumination	white	latching (LA)	3 Wires	3-126-776
22	100 mA	Without	No illumination	red	latching (LA)	3 Wires	3-126-770
22	100 mA	Without	No illumination	green	latching (LA)	3 Wires	3-126-771
22	100 mA	Without	No illumination	yellow	latching (LA)	3 Wires	3-126-775
22	100 mA	Without	No illumination	orange	latching (LA)	3 Wires	3-126-777
22	100 mA	Lateral illumination	Multicolor	translucent	latching (LA)	6 Wires	3-126-759
22	100 mA	Without	No illumination	blue	momentary (MO)	3 Wires	3-126-764
22	100 mA	Without	No illumination	black	momentary (MO)	3 Wires	3-126-765
22	100 mA	Without	No illumination	grey	momentary (MO)	3 Wires	3-126-766
22	100 mA	Without	No illumination	white	momentary (MO)	3 Wires	3-126-768
22	100 mA	Without	No illumination	red	momentary (MO)	3 Wires	3-126-762
22	100 mA	Without	No illumination	green	momentary (MO)	3 Wires	3-126-763
22	100 mA	Without	No illumination	yellow	momentary (MO)	3 Wires	3-126-767
22	100 mA	Without	No illumination	orange	momentary (MO)	3 Wires	3-126-769
22	100 mA	Lateral illumination	Multicolor	translucent	momentary (MO)	6 Wires	3-126-758
30	100 mA	Without	No illumination	blue	latching (LA)	3 Wires	3-126-807
30	100 mA	Without	No illumination	black	latching (LA)	3 Wires	3-126-808
30	100 mA	Without	No illumination	grey	latching (LA)	3 Wires	3-126-809
30	100 mA	Without	No illumination	white	latching (LA)	3 Wires	3-126-811
30	100 mA	Without	No illumination	red	latching (LA)	3 Wires	3-126-805
30	100 mA	Without	No illumination	green	latching (LA)	3 Wires	3-126-806
30	100 mA	Without	No illumination	yellow	latching (LA)	3 Wires	3-126-810
30	100 mA	Without	No illumination	orange	latching (LA)	3 Wires	3-126-812
30	100 mA	Lateral illumination	Multicolor	translucent	latching (LA)	6 Wires	3-126-794

Diameter [mm]	Rated Current [A]	Illumination type	Illumination color	Colour of Housing	Switching Function	Suitable cable	Order Number
30	100 mA	Without	No illumination	blue	momentary (MO)	3 Wires	3-126-799
30	100 mA	Without	No illumination	black	momentary (MO)	3 Wires	3-126-800
30	100 mA	Without	No illumination	grey	momentary (MO)	3 Wires	3-126-801
30	100 mA	Without	No illumination	white	momentary (MO)	3 Wires	3-126-803
30	100 mA	Without	No illumination	red	momentary (MO)	3 Wires	3-126-797
30	100 mA	Without	No illumination	green	momentary (MO)	3 Wires	3-126-798
30	100 mA	Without	No illumination	yellow	momentary (MO)	3 Wires	3-126-802
30	100 mA	Without	No illumination	orange	momentary (MO)	3 Wires	3-126-804
30	100 mA	Lateral illumination	Multicolor	translucent	momentary (MO)	6 Wires	3-126-793

Availability for all products can be searched real-time: <https://www.schurter.com/en/Stock-Check/Stock-Check-SCHURTER>

**Packaging unit**

10 Pcs

**Accessories**

**Description**



Kabel zu MSS  
 Kabel zu MSS

# Mouser Electronics

Authorized Distributor

Click to View Pricing, Inventory, Delivery & Lifecycle Information:

## Schurter:

[3-126-722](#) [3-126-723](#) [3-126-726](#) [3-126-727](#) [3-126-728](#) [3-126-729](#) [3-126-730](#) [3-126-731](#) [3-126-732](#) [3-126-733](#) [3-126-734](#) [3-126-735](#) [3-126-736](#) [3-126-737](#) [3-126-738](#) [3-126-739](#) [3-126-740](#) [3-126-741](#) [3-126-758](#) [3-126-759](#) [3-126-762](#) [3-126-763](#) [3-126-764](#) [3-126-765](#) [3-126-766](#) [3-126-767](#) [3-126-768](#) [3-126-769](#) [3-126-770](#) [3-126-771](#) [3-126-772](#) [3-126-773](#) [3-126-774](#) [3-126-775](#) [3-126-776](#) [3-126-777](#) [3-126-793](#) [3-126-794](#) [3-126-797](#) [3-126-798](#) [3-126-799](#) [3-126-800](#) [3-126-801](#) [3-126-802](#) [3-126-803](#) [3-126-804](#) [3-126-805](#) [3-126-806](#) [3-126-807](#) [3-126-808](#) [3-126-809](#) [3-126-810](#) [3-126-811](#) [3-126-812](#)