
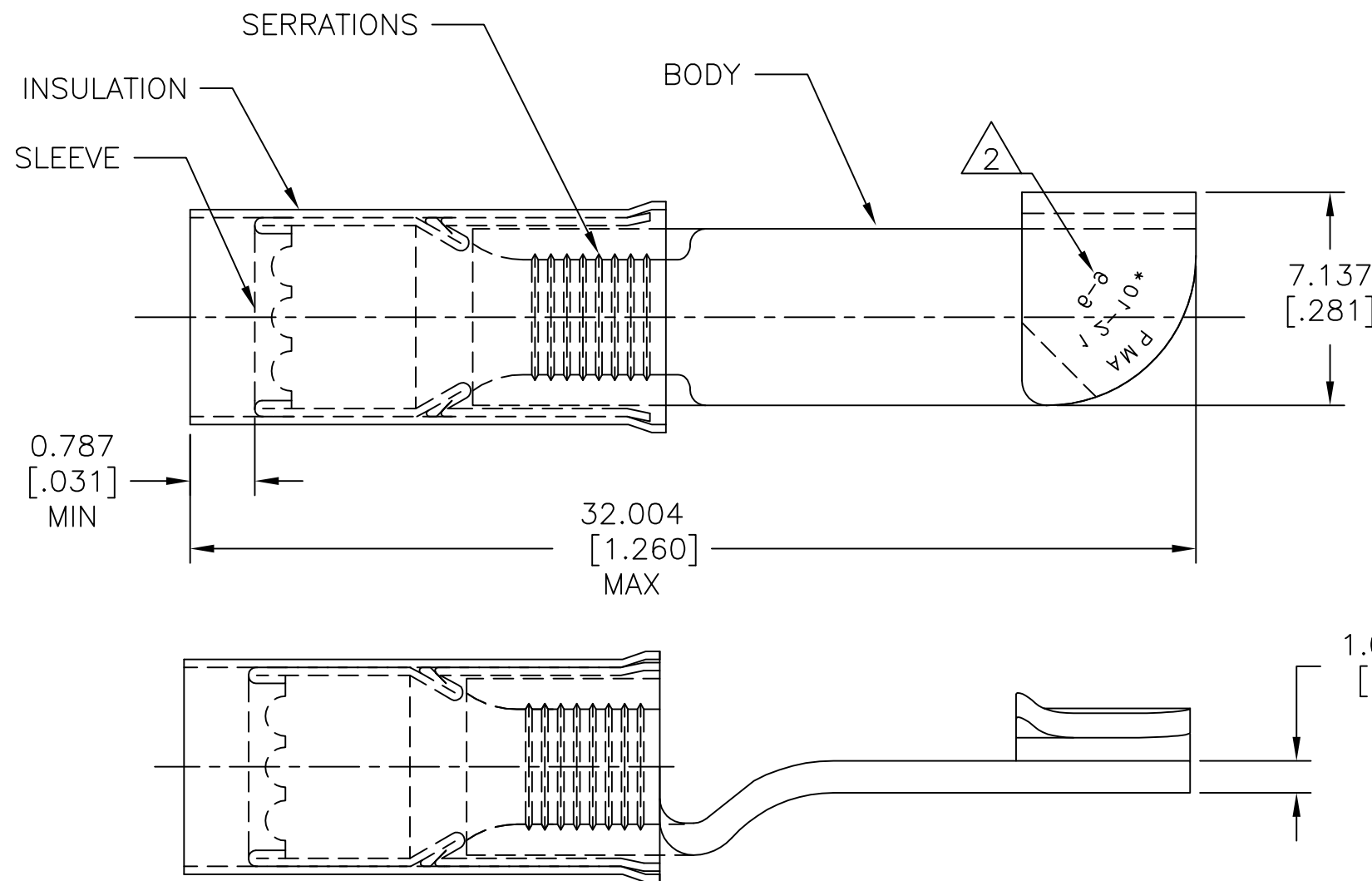


P	LTR	DESCRIPTION	DATE	DWN	APVD
E1		NEW DRAWING PER ECO-11-019045	02APR12	KH	DR
E2		REVISED PER ECO-17-007400	29NOV2017	RS	DR

AMP WIRE RANGE	 Listed FILE E13288
12-10 AWG SOLID OR STRANDED	12-10 AWG SOLID OR STRANDED



- 1 FOR $\phi 3.810[\phi.150]$ TO $\phi 6.350[\phi.250]$ WIRE INSULATION.
- 2 STAMP AMP 12-10* 6-9 APPROX AS SHOWN
- 3 MATERIAL:
BODY&SLEEVE: COPPER PER ASTM B152
INSULATION: NYLON
- 4 FINISH:
BODY&SLEEVE: TIN PLATE PER ASTM B152
INSULATION: COLOR-YELLOW.

500	LOOSE PC	35762
QTY	PACKAGE TYPE	PART NO

AMP INCORPORATED
CUSTOMER SERVICE SYSTEMS

THIS DRAWING IS A CONTROLLED DOCUMENT.

DWN KIRAN HOLAL 02APR12

CHK ROHDE DANIEL 02APR12

APVD ROHDE DANIEL 02APR12

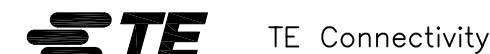
PRODUCT SPEC

UL 486 A-B

APPLICATION SPEC

114-2157

WEIGHT -



WIRE TERMINAL
P.I.D.G-KNIFE-DISCONNECT
WIRE SIZE:12-10

SIZE	CAGE CODE	DRAWING NO	RESTRICTED TO
A3	00779	C=35762	-

FOR ADDITIONAL PRODUCT INFORMATION OR COPIES OF DRAWINGS AND TECHNICAL DOCUMENTS

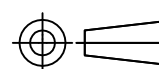
PRODUCT INFORMATION CENTER
1-800-522-6752

RECOMMENDED OPERATING TEMPERATURE:
105°C [221°F]

VOLTAGE RATING:
300V MAX

WIRE CROSS SECTIONAL AREA RANGE:
2.62-6.64mm² [5,180-13,100]
SOLID OR STRANDED

DIMENSIONS:
mm [INCHES]



TOLERANCES UNLESS OTHERWISE SPECIFIED:

- 0 PLC ± -
- 1 PLC ± -
- 2 PLC ± -
- 3 PLC ± 0.127[.005]
- 4 PLC ANGLES ± - ±5°

MATERIAL



FINISH



CUSTOMER DRAWING

SCALE 5:1

SHEET 1 OF 1

REV E2

Mouser Electronics

Authorized Distributor

Click to View Pricing, Inventory, Delivery & Lifecycle Information:

[TE Connectivity:](#)

[35762](#)