

NOTES:

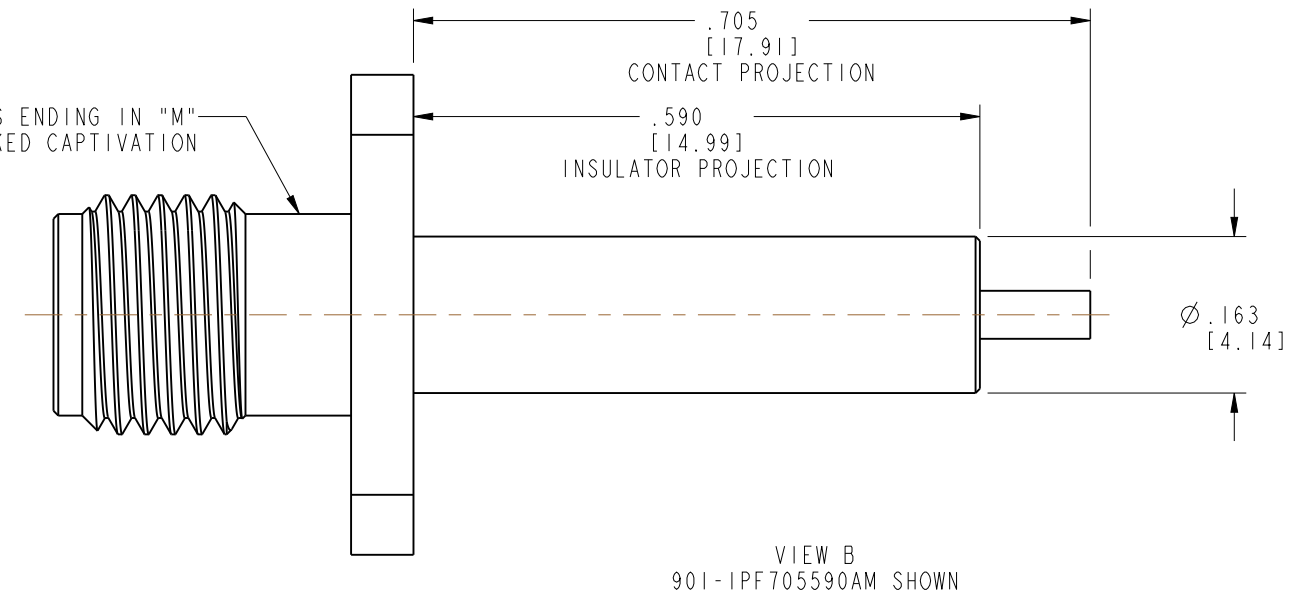
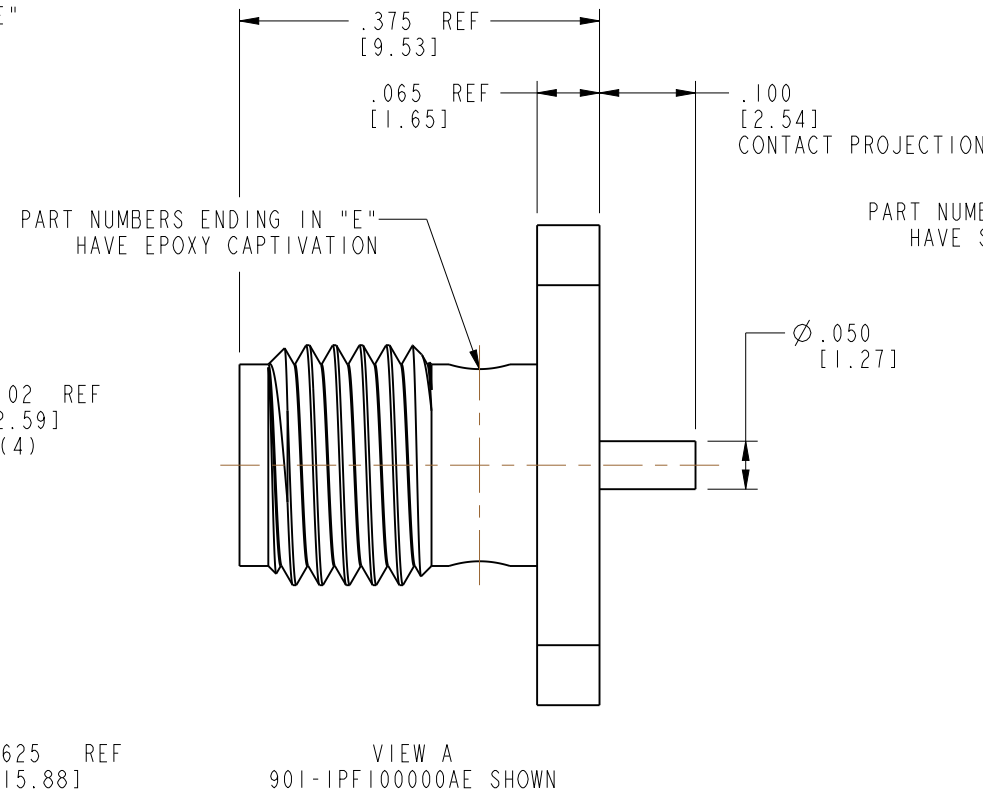
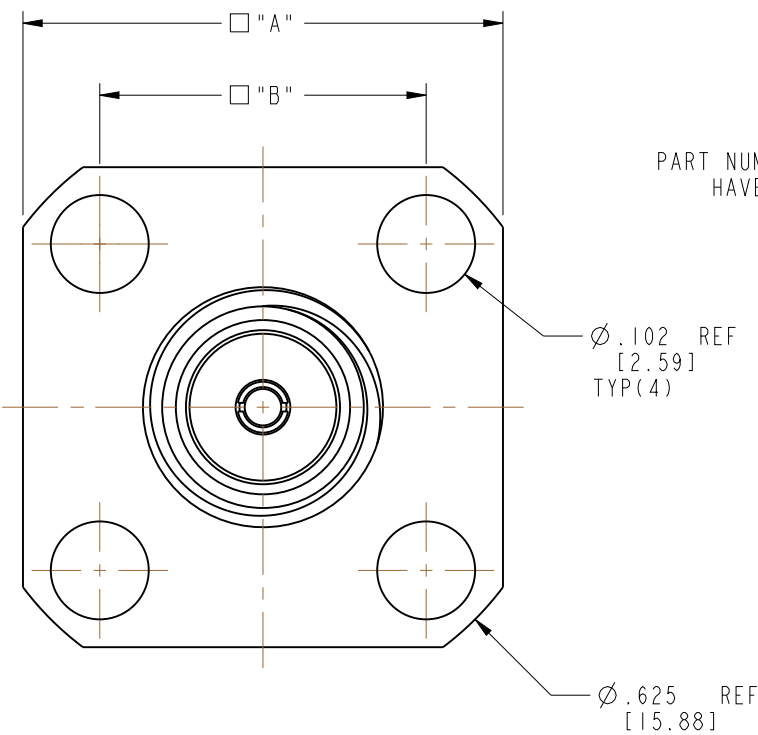
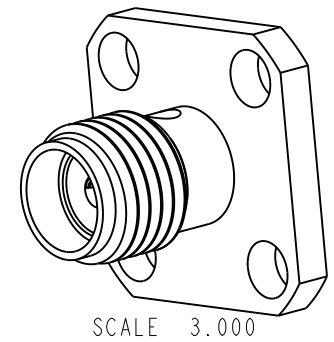
1. MATERIALS AND FINISHES:  
 BODY - STAINLESS STEEL, PASSIVATED  
 CONTACT - BERYLLIUM COPPER, GOLD PLATING  
 INSULATOR - PTFE
2. ELECTRICAL:  
 A. IMPEDANCE: 50 OHM  
 B. FREQUENCY RANGE: DC - 18 GHz  
 C. VSWR(RETURN LOSS): 1.15 (-23 dB), MAX.  
 D. DIELECTRIC WITHSTANDING VOLTAGE: 1000 VRMS, MIN.
3. MECHANICAL:  
 A. DURABILITY: 500 CYCLES MIN.  
 B. TEMPERATURE RANGE: -65° C TO +165° C
4. PACKAGING:  
 A. QUANTITY: SINGLE PACK  
 B. MARKING: PACKAGING TO BE MARKED  
 "AMPHENOL RF, PART NUMBER, AND DATE CODE"

5. ORDERING INFORMATION:  
 A. ADDITIONAL CANDLESTICK LENGTHS ARE AVAILABLE  
 B. CHANGE XXX TO DESIRED CONTACT PROJECTION AND  
 YYY TO DESIRED INSULATOR PROJECTION LENGTH IN INCHES.  
 [.705 MAX. CONTACT PROJECTION, .050 MIN. CONTACT PROJECTION]  
 C. EXAMPLE: 901-IPF100000AE HAS CONTACT PROJECTION OF .100 [2.54]  
 AND NO INSULATOR PROJECTION,  
 AS SHOWN IN "VIEW A".  
 901-IPF705590AM HAS CONTACT PROJECTION OF .705 [17.91] AND  
 INSULATOR PROJECTION OF .590 [14.99],  
 AS SHOWN IN "VIEW B".  
 D. CONTACT AMPHENOL RF MARKETING FOR QUOTE AND MORE INFORMATION.

THIRD ANGLE PROJ.

REVISIONS

| REV | DESCRIPTION     | DATE      | ECO   | APPR |
|-----|-----------------|-----------|-------|------|
| A   | RELEASE TO MFG. | 08-Aug-19 | 12523 | CJV  |



| DRAWING NO.     | "A" IN [MM]   | "B" IN [MM]  | CAPTIVATION |
|-----------------|---------------|--------------|-------------|
| 901-1PFXXXXYYAE | .375 [9.53]   | .250 [6.35]  | EPOXY       |
| 901-1PFXXXXYYAM | .375 [9.53]   | .250 [6.35]  | MECHANICAL  |
| 901-2PFXXXXYYAE | .500 [12.70]  | .340 [8.64]  | EPOXY       |
| 901-2PFXXXXYYAM | .500 [12.70]  | .340 [8.64]  | MECHANICAL  |
| 901-3PFXXXXYYAE | .687 [17.45]  | .375 [9.53]  | EPOXY       |
| 901-3PFXXXXYYAM | .687 [17.45]  | .375 [9.53]  | MECHANICAL  |
| 901-4PFXXXXYYAE | 1.000 [25.40] | .689 [17.50] | EPOXY       |
| 901-4PFXXXXYYAM | 1.000 [25.40] | .689 [17.50] | MECHANICAL  |

**CUSTOMER OUTLINE DRAWING**  
 ALL OTHER SHEETS ARE FOR INTERNAL USE ONLY

|  |   |   |                         |   |                                   |
|--|---|---|-------------------------|---|-----------------------------------|
| UNLESS OTHERWISE SPECIFIED, DIMENSIONS ARE IN INCHES AND TOLERANCES ARE:<br>2 PLACE DECIMAL 3 PLACE DECIMAL<br>±.015 (0,381 mm) ±.005 (0,127 mm) ANGLES ± 1° | MATERIAL<br>SEE NOTES   | DRAWN<br>C. VIGORITO  | DATE<br>12-Oct-18       | TITLE<br>SMA PANEL JACK, POST CONTACT<br>STEEL BODY PASSIVATED<br>VARIOUS LENGTHS | Amphenol RF<br>www.amphenolrf.com |
|  | NOTICE - These drawings, specifications, or other data (1) are, and remain the property of Amphenol corp. (2) must be returned upon request; and (3) are confidential and not to be disclosed to any person other than those to whom they are given by Amphenol Corp. the furnishing of these drawings, specifications, or other data by Amphenol Corp., or to any other person to anyone for any purpose is not to be regarded by implication or otherwise in any manner licensing, granting rights to permitting such holder or any other person to manufacture, use or sell any product, process or design, patented or otherwise, that may in any way be related to or disclosed by said drawings, specifications, or other data. | REFERENCE<br>EAR: 7643<br>REF: 901-9215-3CCSF<br>CONFIGURATION LEVEL: In Work<br>FINISH | ENGINEER<br>C. VIGORITO |   |                                   |
|  |   | APPROVED<br>K. CAPOZZI  | DATE<br>08-Aug-19       | SCALE: 5.0:1.0 SHEET 2 OF 2<br>DWG SIZE B<br>REV A                                |                                   |

# Mouser Electronics

Authorized Distributor

Click to View Pricing, Inventory, Delivery & Lifecycle Information:

[Amphenol:](#)

[901-2PF705590AM](#)