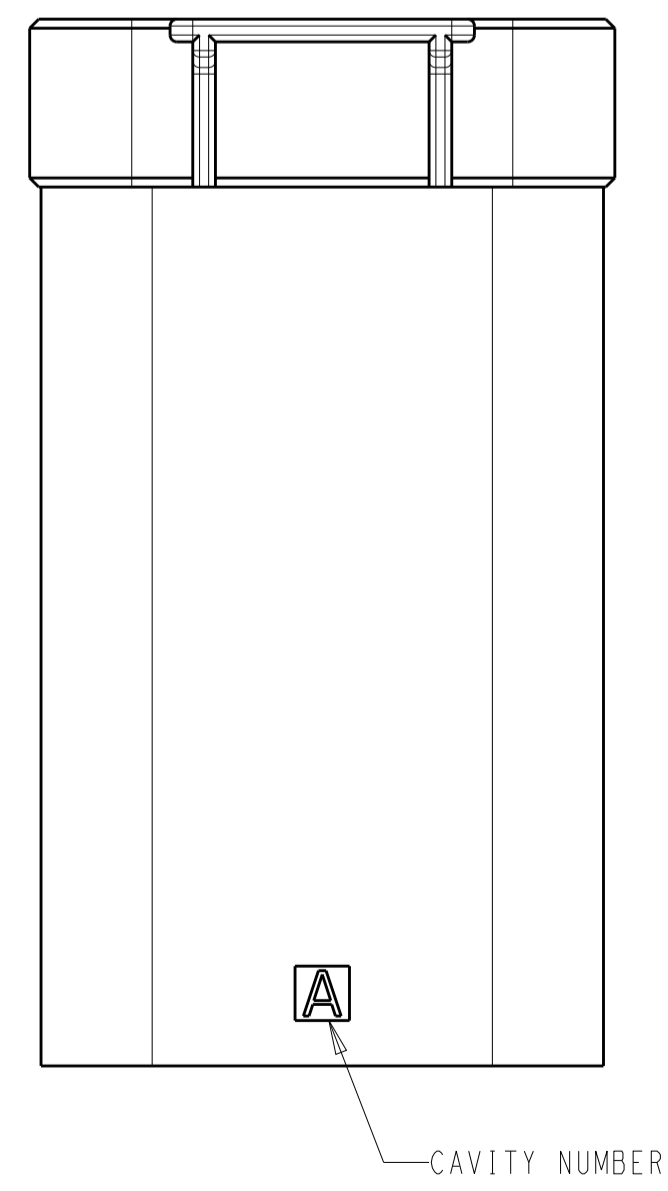
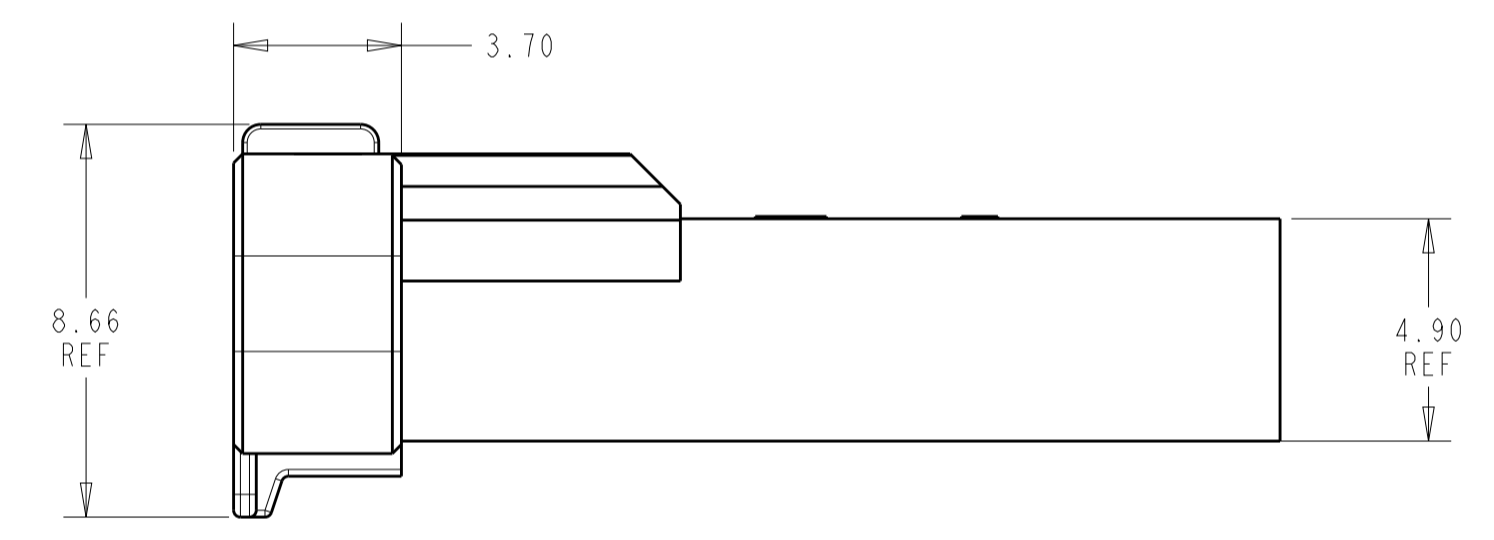
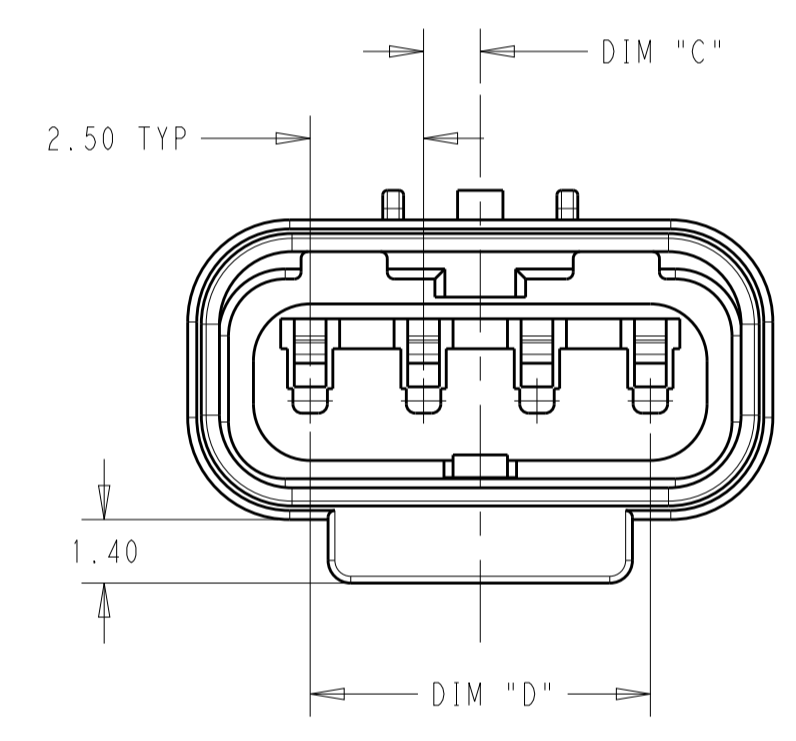
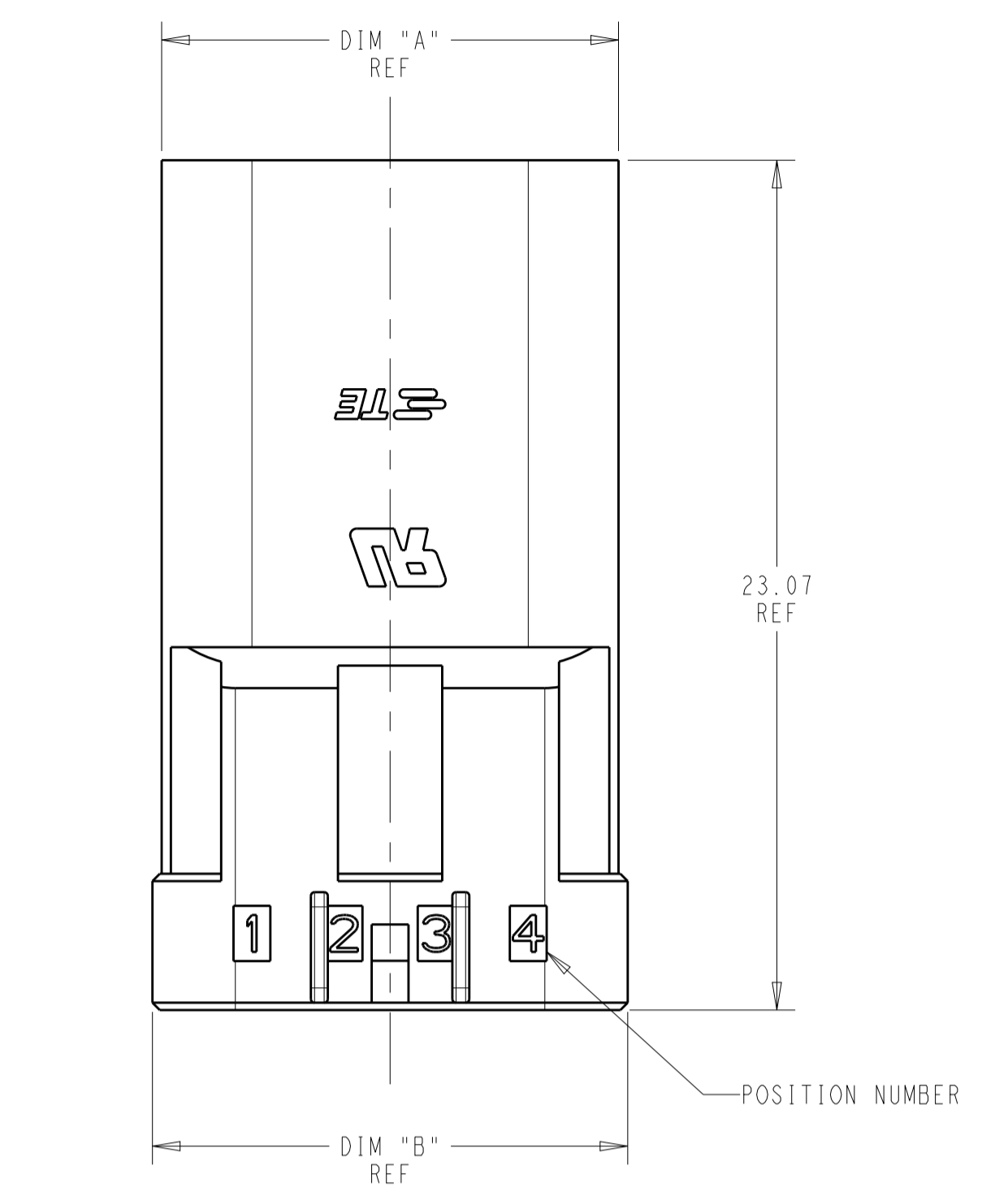
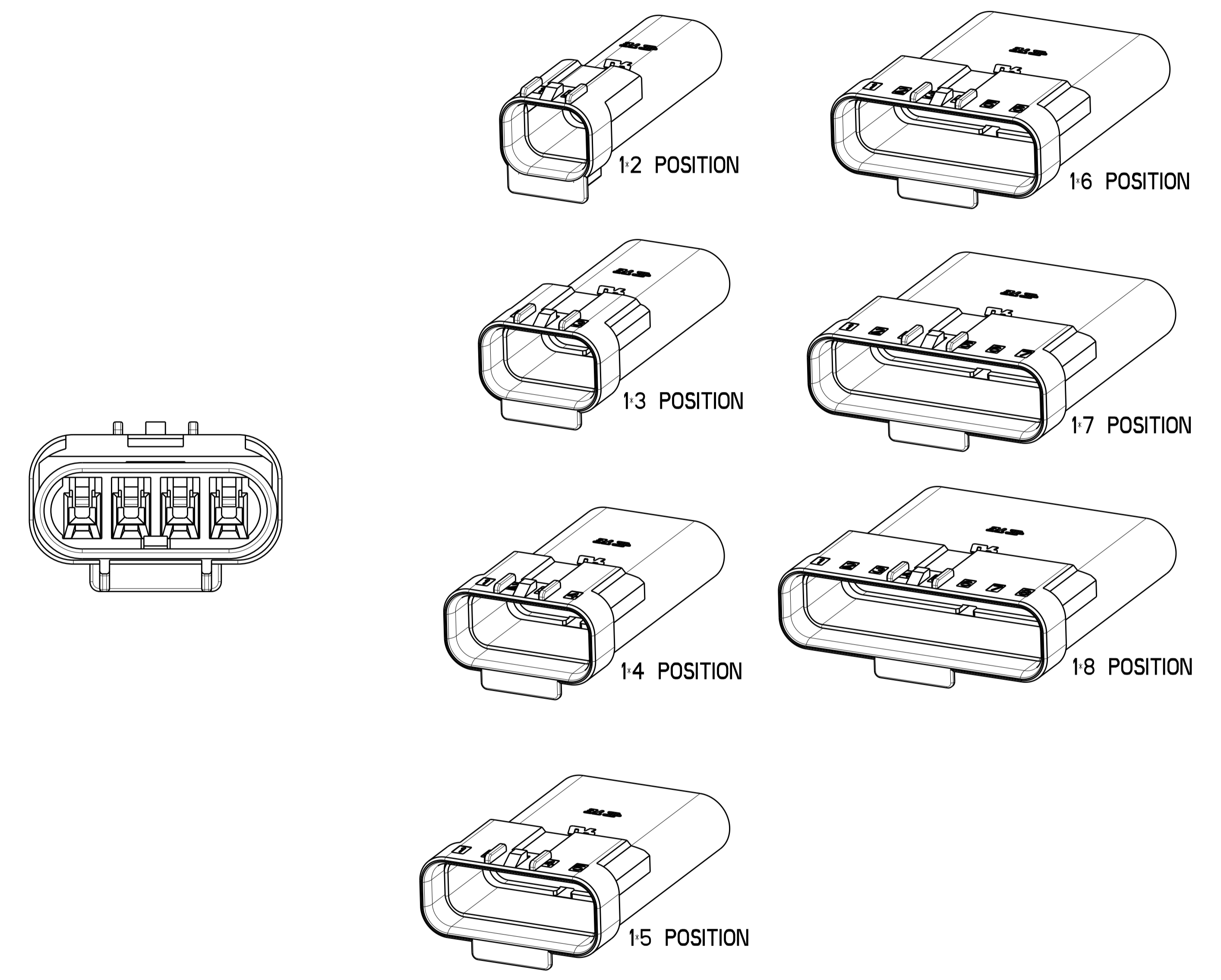


REVISIONS					
P	LTN	DESCRIPTION	DATE	OWN	APVD
A		NEW RELEASE	12FEB2020	L.C	D. Z



- ⚠ MATERIAL: PA66, UL94V-0, COLOR: NATURAL
- 2. APPLICABLE CONTACT P/N
2321928-1 OR 1-2321928-1
- 3. MATING CONNECTOR P/N
PLUG HSG: 2321918-★
TPA (OPTIONAL): 2321927-★
GANG SEAL: 2321922-★
- 4. COMPLY WITH GLOW WIRE REQUIREMENTS FOR PARTS OF NON-METALLIC MATERIAL SUPPORTING A CURRENT-CARRYING CONNECTION DETAILED IN IEC 60335-1, SECTION 30(GWT)
- ⚠ PRELIMINARY PART - NOT RELEASED FOR PRODUCTION
THIS PART HAS NOT COMPLETED QUALIFICATION TESTING



DIM "D"	DIM "C"	DIM "B"	DIM "A"	POSN	PART NUMBER
17.50	1.25	22.90	22.40	1*8	⚠ 2321924-8
15.00	0	20.40	19.90	1*7	⚠ 2321924-7
12.50	1.25	17.90	17.40	1*6	2321924-6
10.00	0	15.40	14.90	1*5	2321924-5
7.50	1.25	12.90	12.40	1*4	2321924-4
5.00	0	10.40	9.90	1*3	2321924-3
2.50	1.25	7.90	7.40	1*2	2321924-2

THIS DRAWING IS A CONTROLLED DOCUMENT.		OWN: B. WEAVER 15FEB2019	
DIMENSIONS: mm		CHK: S. FERNANDES 15FEB2019	
TOLERANCES UNLESS OTHERWISE SPECIFIED:		APVD: C. YI 15FEB2019	
0 PLC ± 1 PLC ± 2 PLC ±0.25 3 PLC ± 4 PLC ± ANGLES ± FINISH ±		NAME: RECEPTACLE HOUSING, SDL 2.5 WATERPROOF PRODUCT SPEC: 108-143069 APPLICATION SPEC: 114-143067 WEIGHT: - CUSTOMER DRAWING	
MATERIAL: ⚠	FINISH: -	SIZE: A1	CAGE CODE: 00779 DRAWING NO: 2321924 SCALE: 6:1 SHEET: 1 OF 1 REV: A

Mouser Electronics

Authorized Distributor

Click to View Pricing, Inventory, Delivery & Lifecycle Information:

[TE Connectivity:](#)

[2321924-4](#)