

# PRODUCT DATA DRAWING

REVISION HISTORY			
REV	DESCRIPTION	DATE	APPROVED
-	NRN 46269	09/21	SEE PDM

**MATERIAL:**

**BODIES & CONTACTS:** BERYLLIUM COPPER PER ASTM B196, ALLOY No. UNS C17300, TD04.

**SLEEVE:** STAINLESS STEEL PER AMS 5640, ALLOY UNS S30300, TYPE 1 OR ASTM A582 TYPE 303, CONDITION A.

**INSULATORS:** PTFE PER ASTM D1710, TYPE I, GRADE 1, CLASS B.

**SPRING:** STAINLESS STEEL PER ASTM A313, TYPE 631 OR AMS 5678.

**FINISH:**

**BODIES & CONTACT:** GOLD PER ASTM B488, TYPE II, CODE C, CLASS 1.27, OVER NICKEL PER AMS-QQ-N-290, CLASS 1, .00005" MIN.

**SLEEVE:** PASSIVATED PER AMS 2700

**SPRING:** PASSIVATED

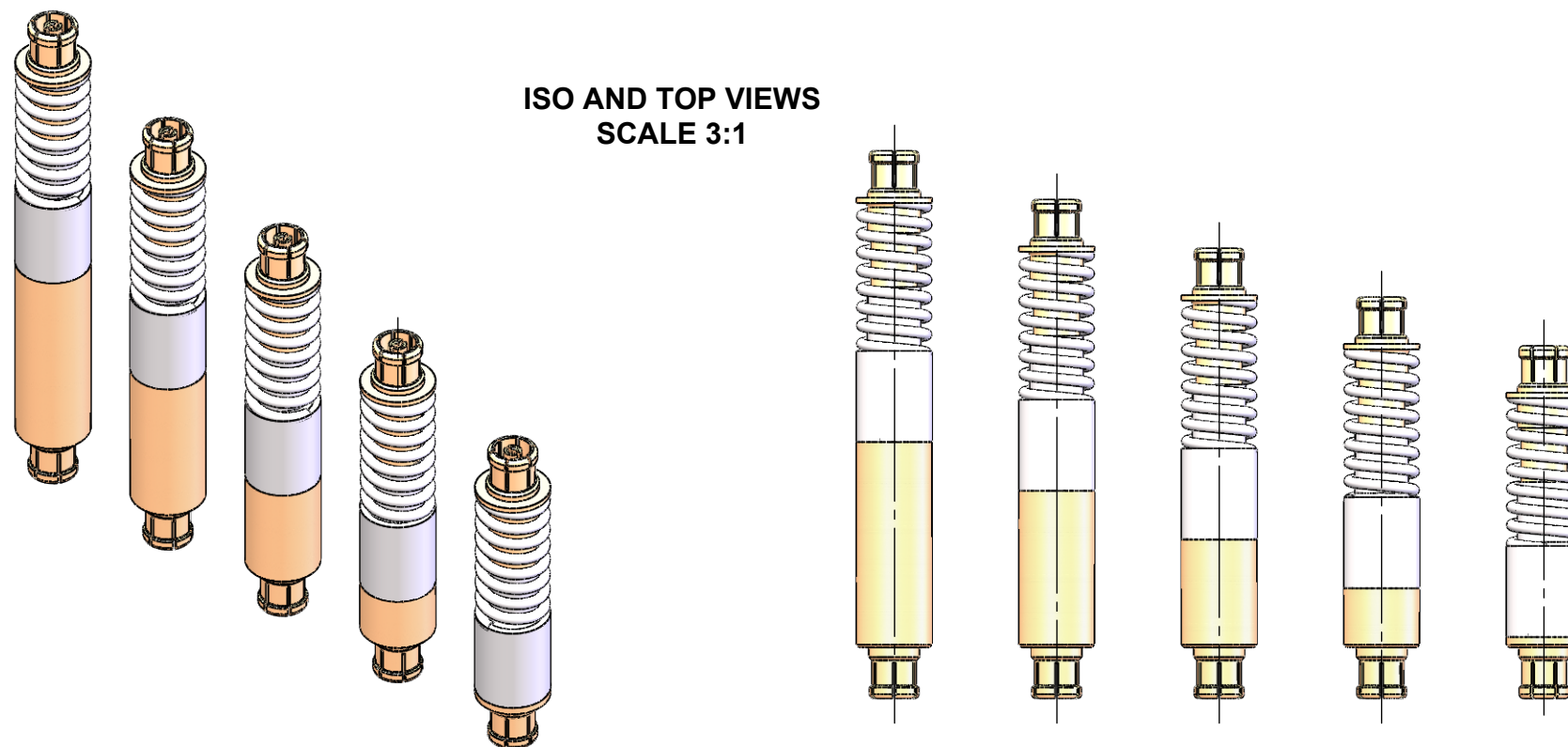
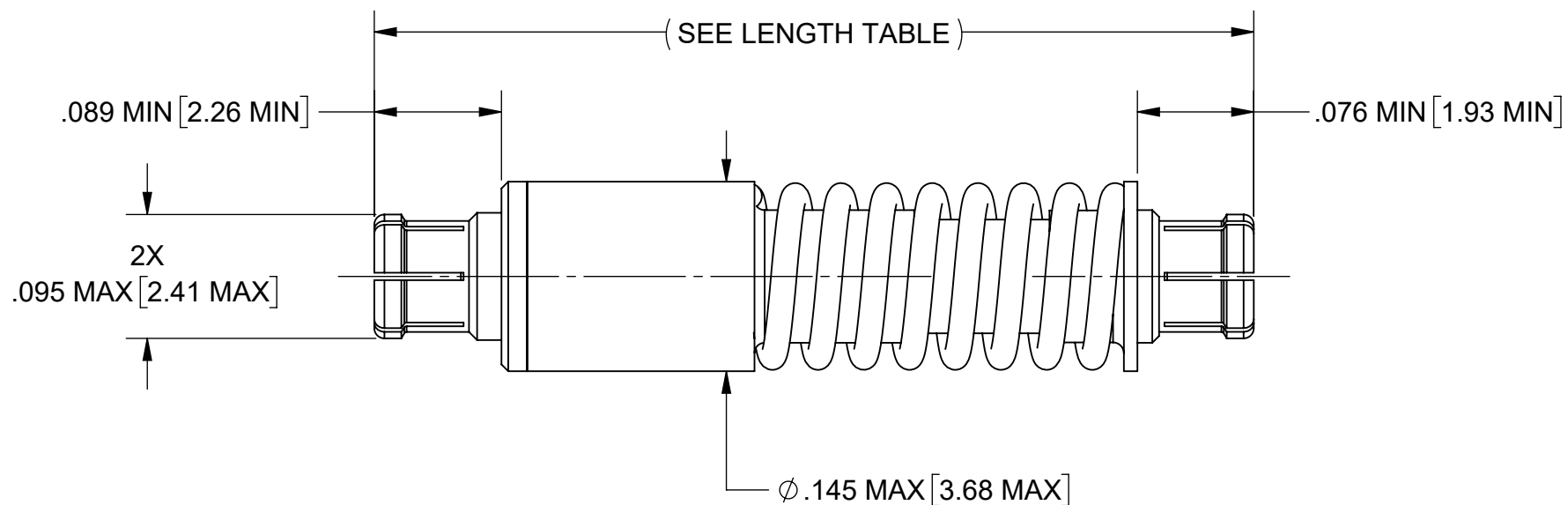
**ELECTRICAL SPECIFICATIONS:**

**IMPEDANCE:** 50 OHMS  
**FREQ. RANGE:** DC TO 40.0 GHz.


**MECHANICAL SPECIFICATIONS:**

**ENGAGE FORCE:**  
 FULL DETENT: 9 LB MAX.  
 SMOOTH BORE: 2.5 LB MAX.

**DISENGAGE FORCE:**  
 FULL DETENT: 2 LB MIN.  
 SMOOTH BORE: .5 LB MIN.



SV PART NUMBER	LENGTH		
	COMPRESSED	NOMINAL	UNCOMPRESSED
1132-4113	.550"	.600"	.650"
1132-4114	.640"	.690"	.740"
1132-4115	.730"	.780"	.830"
1132-4116	.820"	.870"	.920"
1132-4117	.910"	.960"	1.010"

<b>MATERIAL:</b> SEE NOTES	<b>DIMENSIONS ARE IN INCHES TOLERANCES:</b> FRACTIONAL: ±1/64 ANGULAR: X° ±1'0" X'X' ±15'	<b>UNLESS OTHERWISE SPECIFIED</b> 1) ALL DIMENSIONS ARE IN INCHES (MILLIMETERS) 2) ALL DIMENSIONS ARE AFTER PLATING. 3) BREAK CORNERS & EDGES .005 R. MAX. 4) CHAM. 1ST & LAST THREADS. 5) SURFACE ROUGHNESS 63-MIL-STD-10. 6) DIA: 'S ON COMMON CENTERS TO BE CONCENTRIC WITHIN .005 T.I.R. 7) REMOVE ALL BURRS	 www.svmicrowave.com <b>TITLE:</b> SMPM FEMALE TO FEMALE COMPRESSIBLE ADAPTER
<b>FINISH:</b> SEE NOTES	DECIMAL: X ±.030 .XX ±.010 .XXX ±.005 INTERPRET DIMENSIONS AND TOLERANCES PER ASME Y14.5M - 1994	<b>DRAWN:</b> SRM 09/22/21 <b>CHECKED:</b> SEE PDM <b>APPROVED:</b> SEE PDM	
<b>SURFACE AREA:</b> N/A	<b>THIRD ANGLE PROJECTION</b>		SHEET 1 OF 1

# Mouser Electronics

Authorized Distributor

Click to View Pricing, Inventory, Delivery & Lifecycle Information:

[Amphenol:](#)

[1132-4113](#) [1132-4114](#) [1132-4115](#) [1132-4116](#) [1132-4117](#)