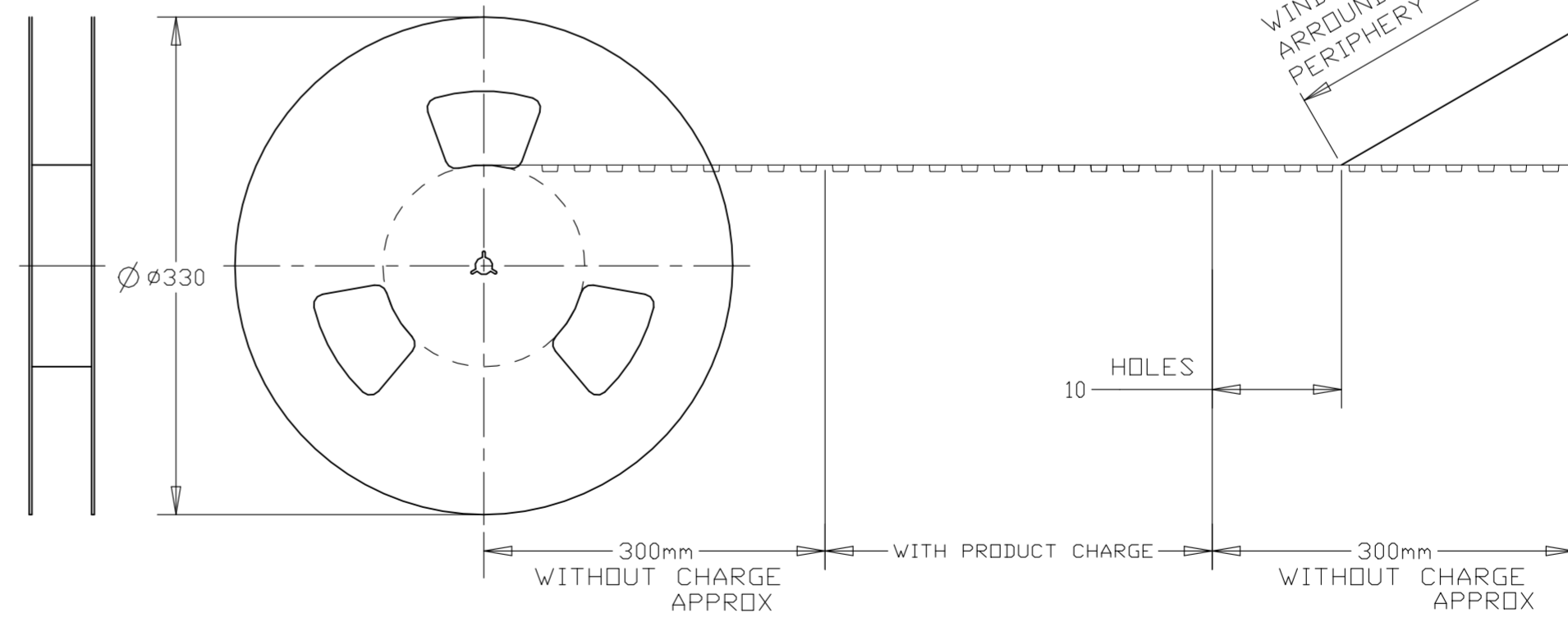
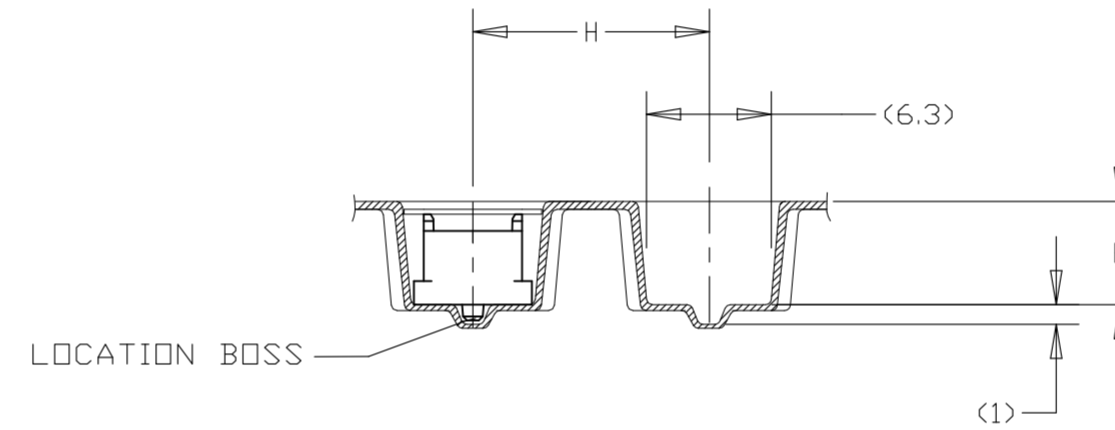
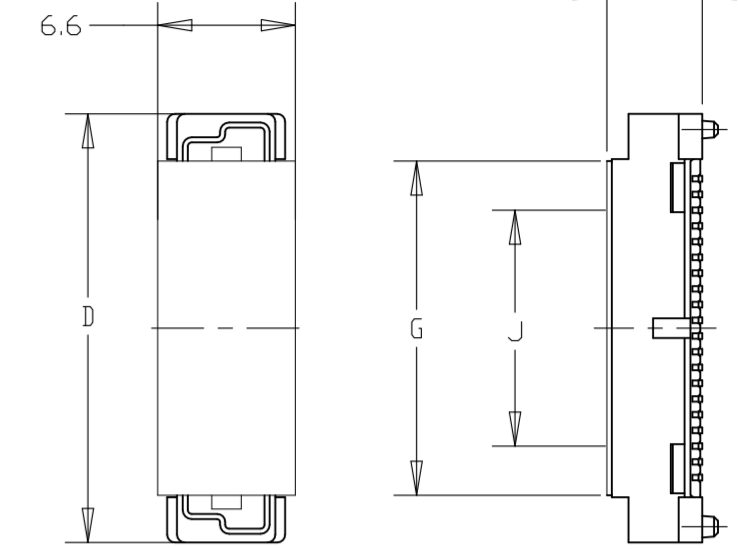
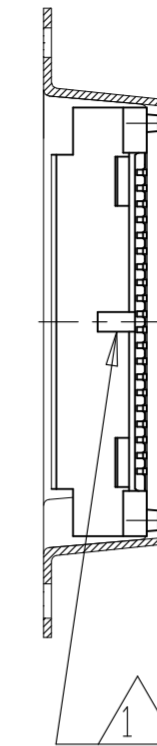
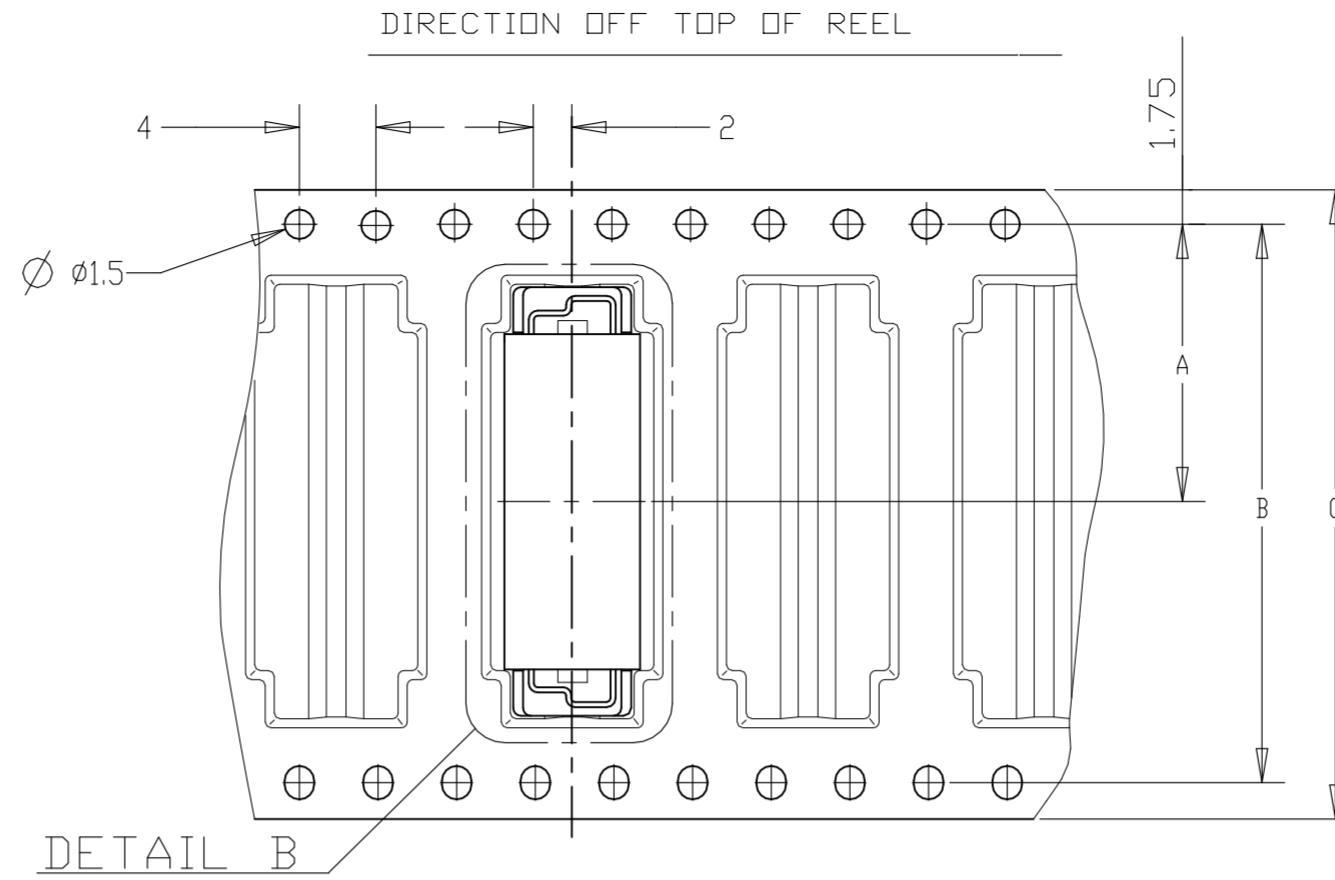


REVISIONS					
P	LTR	DESCRIPTION	DATE	DWN	APVD
-	-	SEE SHEET 1	-	-	-

LOW HALOGEN

POLYIMIDE COVER

Notes:
 6 0.0002 MIN GOLD PLATING
 (7.8u INCHES GOLD PLATING)



WINDING THE COVER TAPE
 AROUND THE OUTER
 PERIPHERY IN A TURN.

800	6H	2.6	5.6	12	12	17	5.85	6.25	37.8	56	52.4	26.2	80	9-5177986-3	
650	5H	1.2	4.6	12	16	17	4.85	5.25	61.8	88	84.4	42.2	140	9-5177986-6	
REMARKS	QTY	HEIGHT TYPE	Y	X	J	H	G	F	E	D	C	B	A	POS	SALEABLE PART NO.

THIS DRAWING IS A CONTROLLED DOCUMENT.

DWN	30AUG2004	FLORENCE TAN
CHK	30MAY2012	ERIC TNG
APVD	30MAY2012	SF LEONG
PRODUCT SPEC	108-5390	
APPLICATION SPEC	-	
WEIGHT	-	-
CUSTOMER DRAWING	SCALE 1:1	SHEET 2 of 4

TE Connectivity Ltd.

PLUG ASSEMBLY, FH 0.8
 ON TAPING (EMBOSS) 0.5 BOSS LENGTH

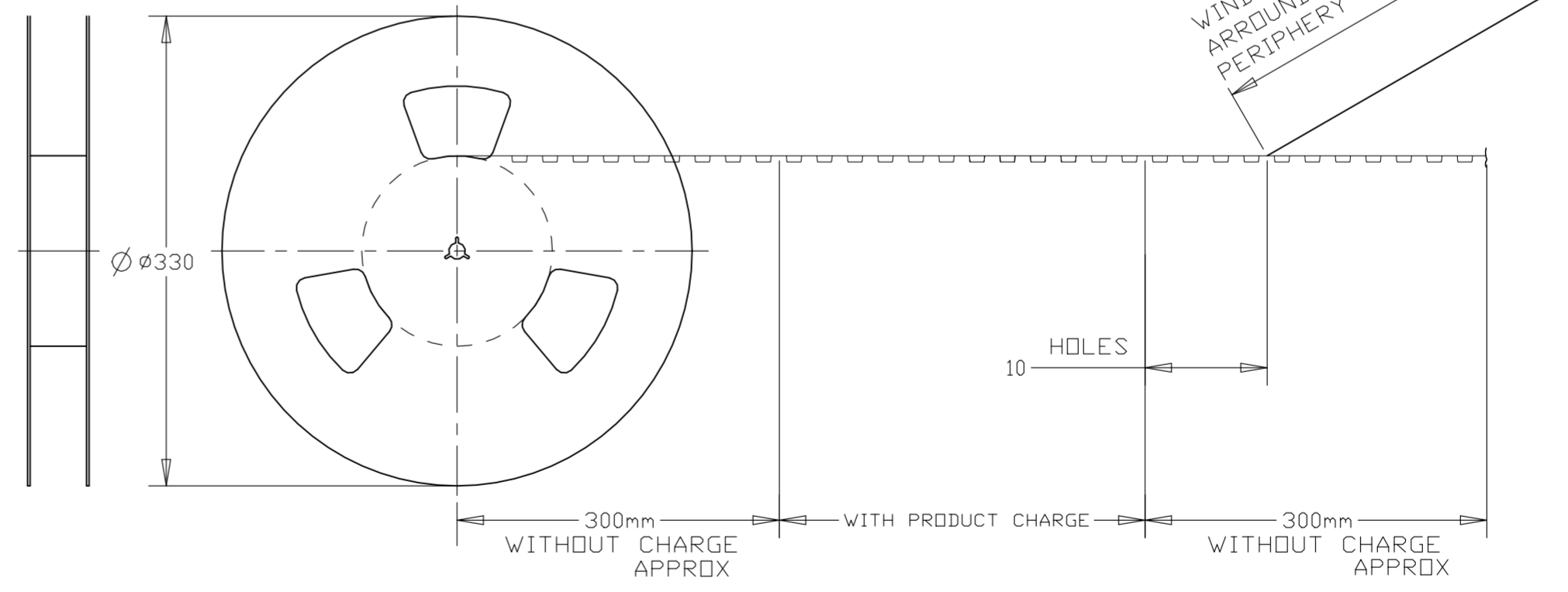
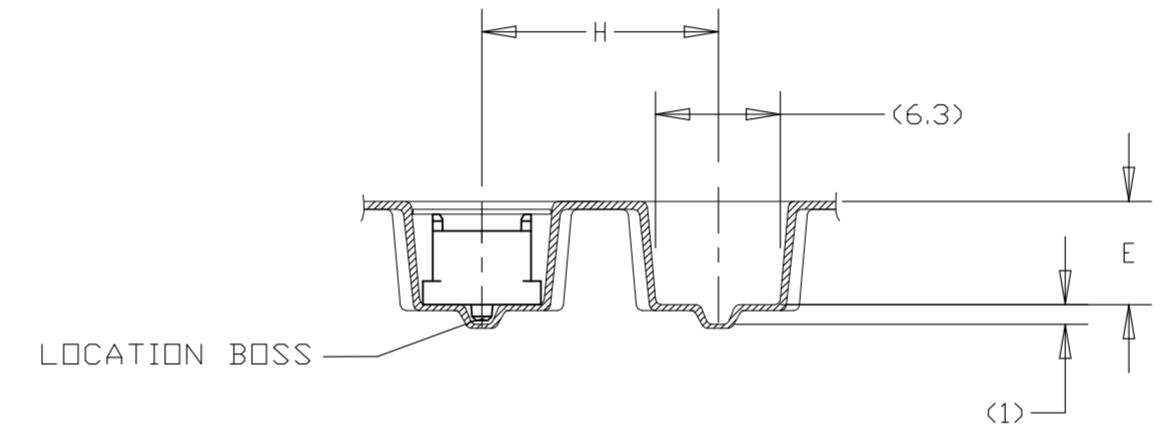
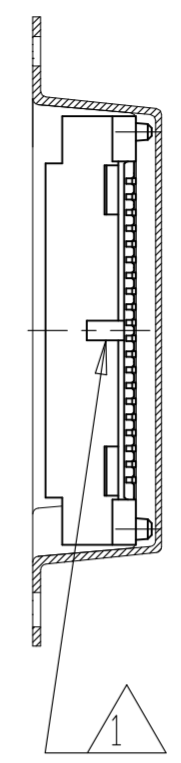
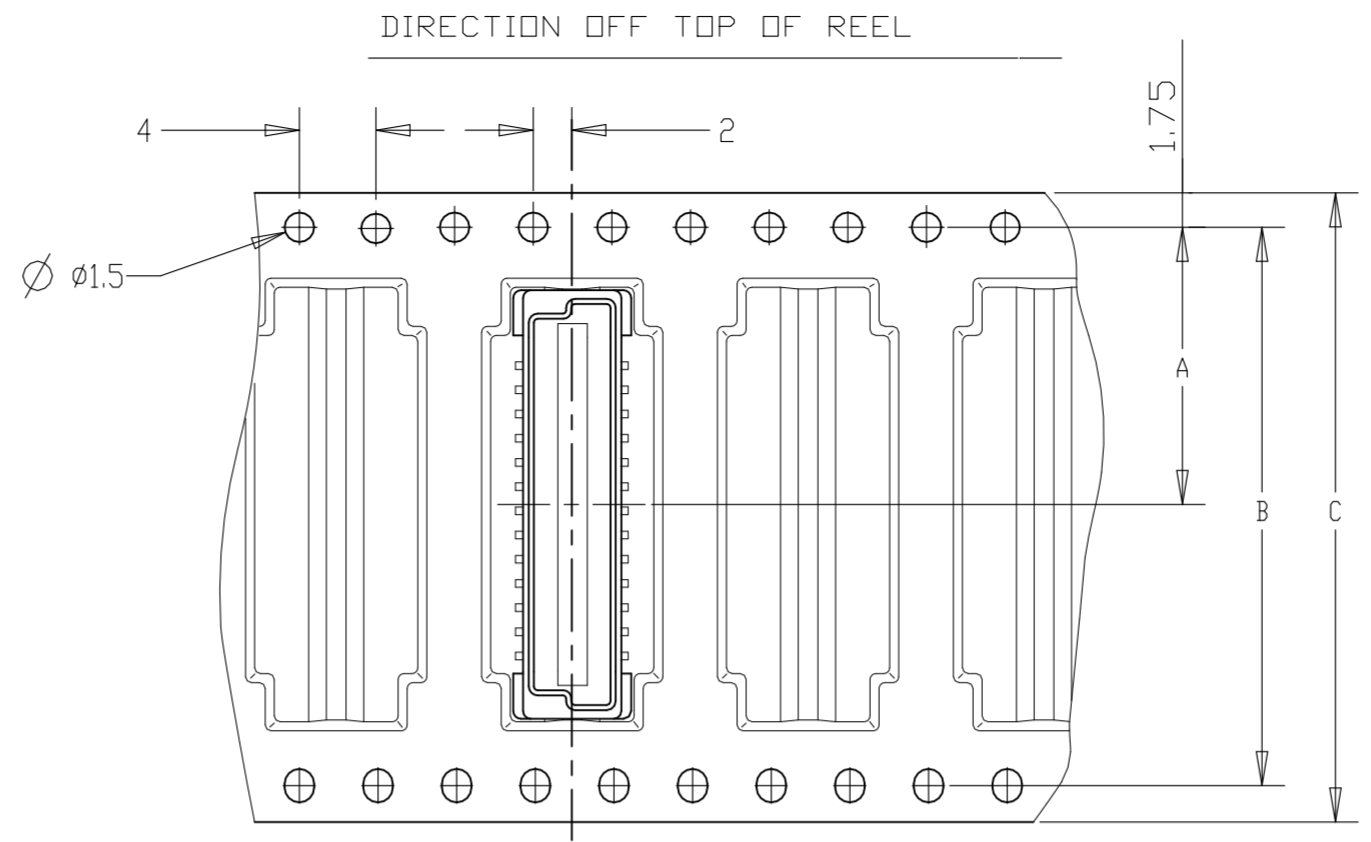
SIZE A2 CAGE CODE 00779 DRAWING NO. C=5177986 RESTRICTED TO -

REVISIONS: 1:1, SHEET 2 of 4, REV F8

REVISIONS					
P	LTR	DESCRIPTION	DATE	DWN	APVD
-	-	SEE SHEET 1	-	-	-

LOW HALOGEN
WITHOUT COVER

Notes:
2 0.00038 MIN GOLD PLATING
(15μ INCHES GOLD PLATING)



REMARKS	QTY	HEIGHT TYPE	Y	X	H	E	C	B	A	POS	SALEABLE PART NO.
	650	5H	1.2	4.6	16	5.25	88	84.4	42.2	160	8-5177986-8
	650	5H	1.2	4.6	16	5.25	72	68.4	34.2	120	8-5177986-5

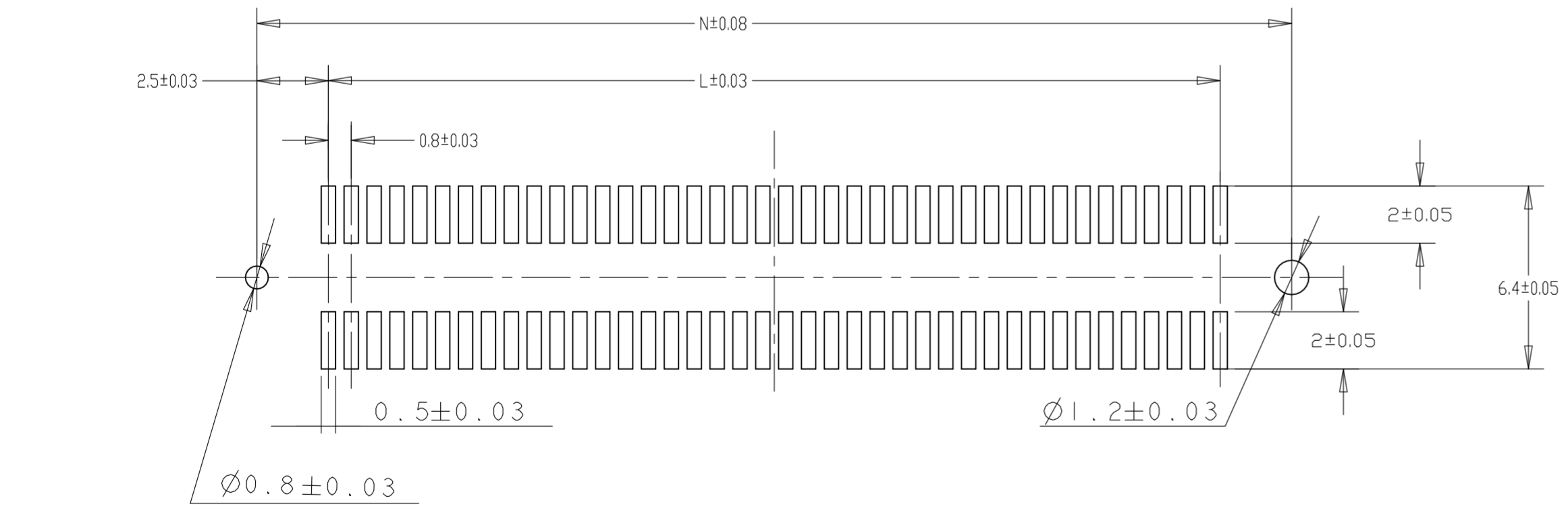
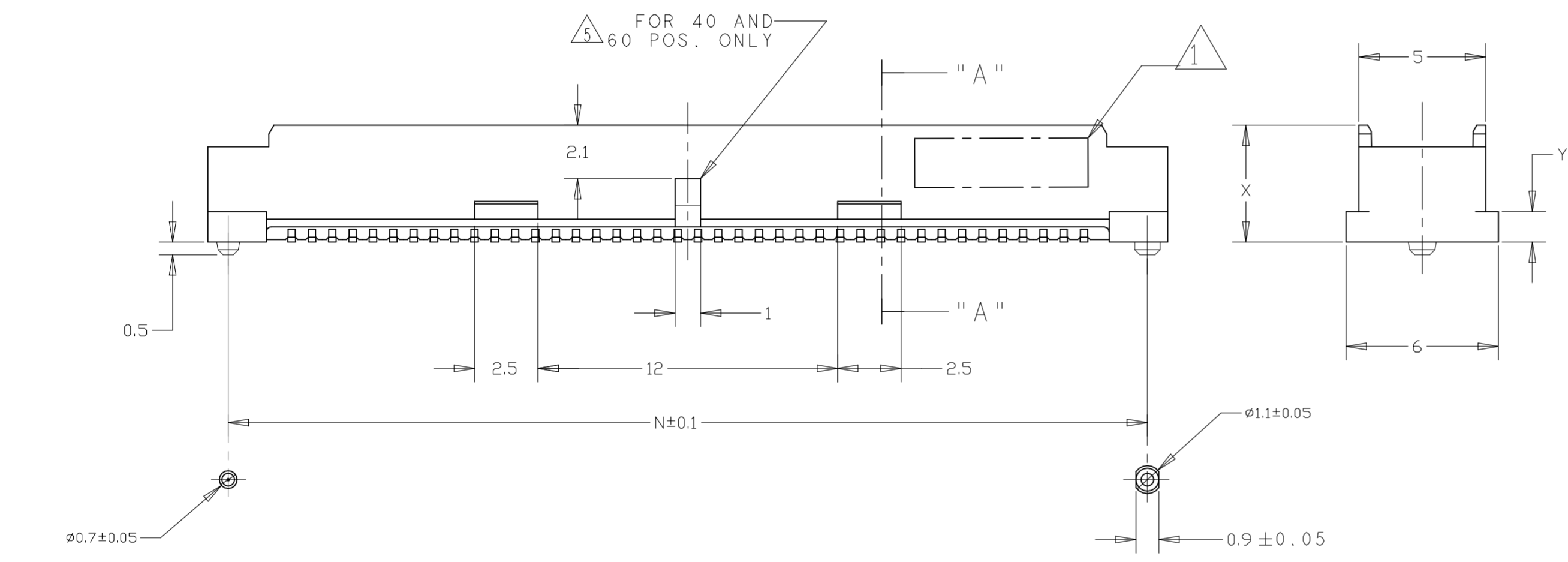
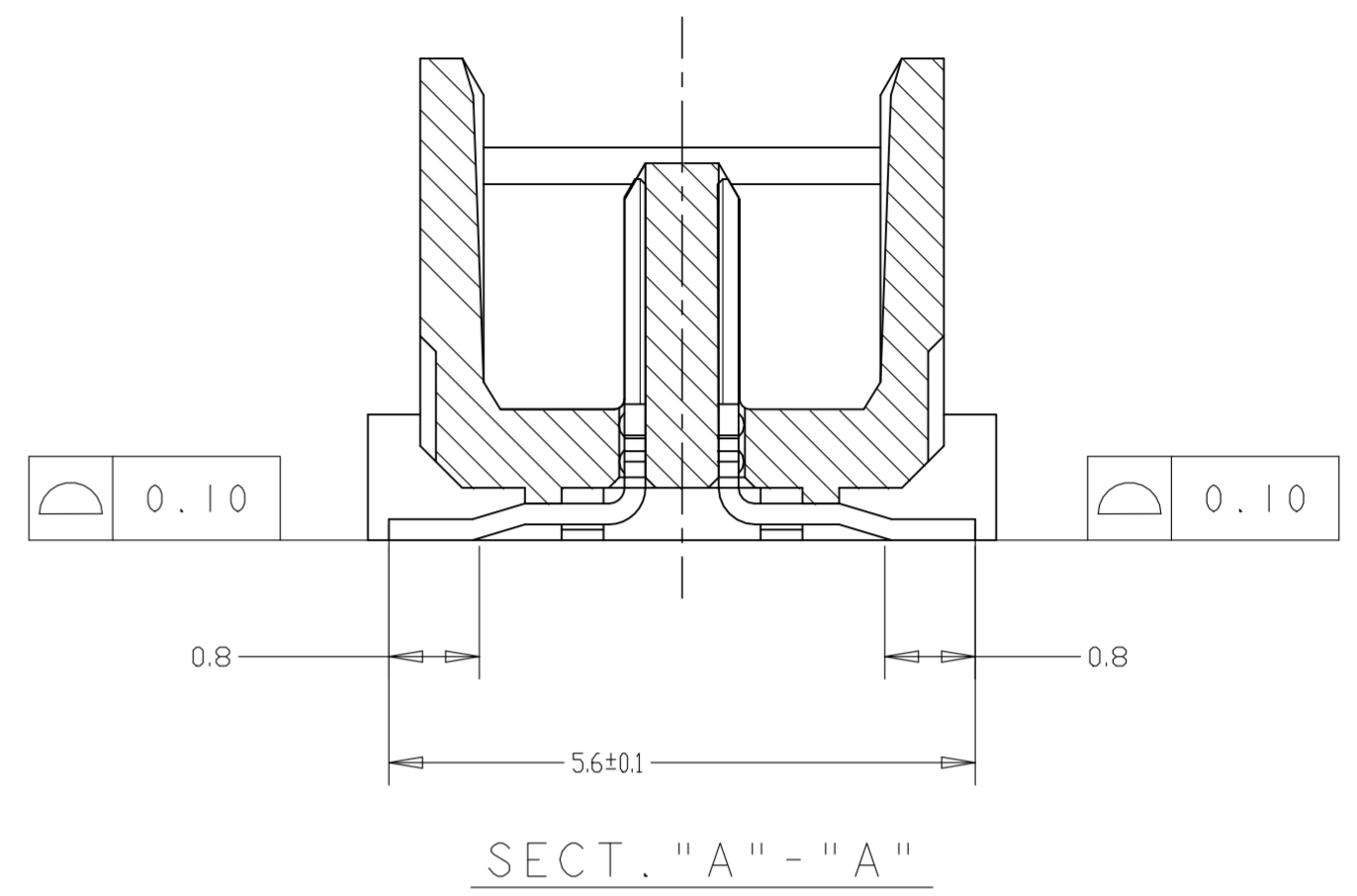
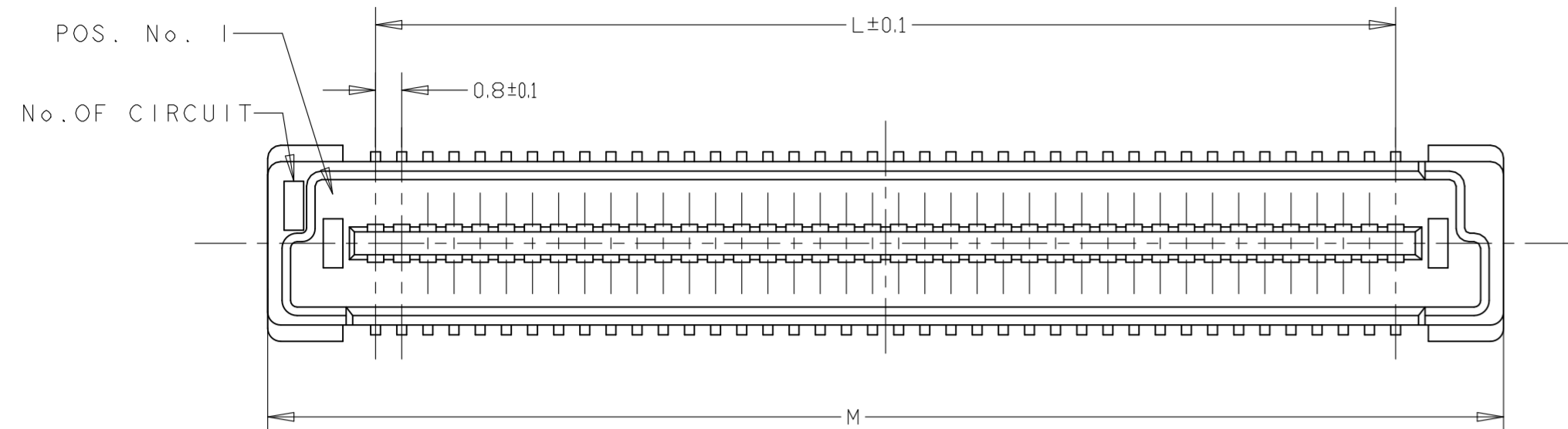
THIS DRAWING IS A CONTROLLED DOCUMENT.

DWN	FLORENCE TAN	30AUG2004	 TE Connectivity Ltd.							
CHK	ERIC TNG	30MAY2012								
APVD	SF LEONG	30MAY2012								
PRODUCT SPEC	108-5390									
MATERIAL	SEE NOTE	FINISH	SEE NOTE							
WEIGHT		-	SIZE	A2	CAGE CODE	00779	DRAWING NO.	C=5177986	RESTRICTED TO	-
CUSTOMER DRAWING		SCALE	1:1	SHEET	3 of 4	REV	F8			

P	LTR	DESCRIPTION	DATE	DWN	APVD
-	-	SEE SHEET 1	-	-	-

LOW HALOGEN

CONNECTOR ONLY



RECOMMENDED P.C. BOARD LAYOUT

84.2	85.8	79.2	200
76.2	77.8	71.2	180
68.2	69.8	63.2	160
60.2	61.8	55.2	140
52.2	53.8	47.2	120
44.2	45.8	39.2	100
36.2	37.8	31.2	80
28.2	29.8	23.2	60
20.2	21.8	15.2	40
N	M	L	POS.

THIS DRAWING IS A CONTROLLED DOCUMENT.

DWN FLORENCE TAN 30AUG2004	TE Connectivity Ltd.					
CHK ERIC TNG 30MAY2012						
APVD SF LEONG 30MAY2012						
NAME PLUG ASSEMBLY, FH 0.8 ON TAPING (EMBOSS) 0.5 BOSS LENGTH						
DIMENSIONS: mm	TOLERANCES UNLESS OTHERWISE SPECIFIED: 0 PLC ± - 1 PLC ± 0.2 2 PLC ± 0.15 3 PLC ± 0.1 4 PLC ± - ANGLES ± 3°	PRODUCT SPEC 108-5390	SIZE A2	CAGE CODE 00779	DRAWING NO C=5177986	RESTRICTED TO -
MATERIAL SEE NOTE	FINISH SEE NOTE	APPLICATION SPEC -	WEIGHT -	SCALE 1:1	SHEET 4 OF 4	REV F8
		CUSTOMER DRAWING				