

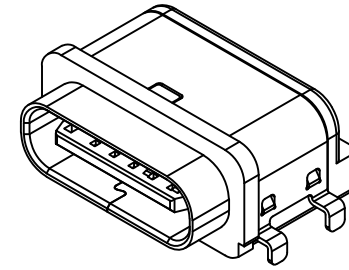
Recommended PCB Layout

Thickness 0.80±0.10mm

Tolerance: ±0.05mm

■ Solder Area □ Component Outline

Pin	Signal	Mating Sequence
A5	CC1	Second
A9	Vbus	First
A12	GND	First
B5	CC2	Second
B9	Vbus	First
B12	GND	First
SHELL	GND	



Specifications

Material

Insulator: High Temp. Plastic, UL 94V-0, Black
 Contact: Copper Alloy
 Shell: Stainless Steel
 Shielding Plate: Stainless Steel
 Gasket: Silicon

Plating

Contact
 Contact Area: Gold Flash
 Solder Tails: Tin over Nickel
 Shell: Nickel
 Shielding Plate: Nickel

Electrical

Current Rating: 3.00A collectively for Vbus pins
 4.25A collectively for GND pins
 1.25A for A5/B5 pin

Voltage Rating: 20V DC

Contact Resistance: 40mΩ max initial.

50mΩ max after test

Dielectric Withstanding Voltage: 100V AC

Insulation Resistance 100MΩ min

Mechanical & Environmental

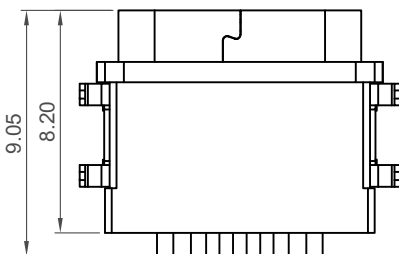
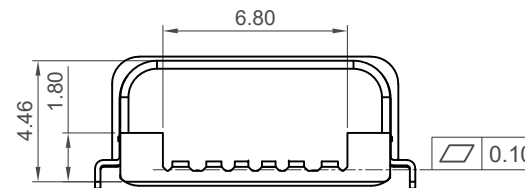
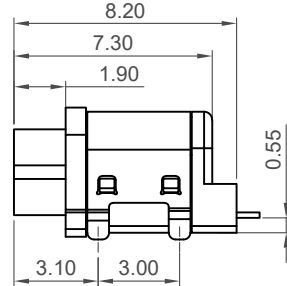
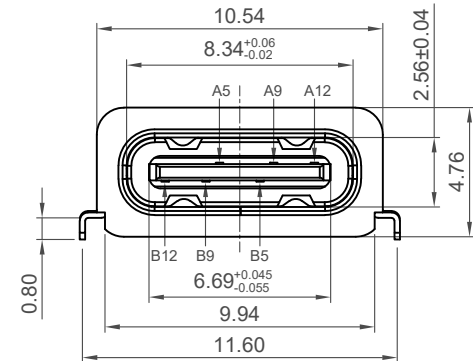
Operating Temperature: -30°C to +85°C

Mating Force: 5 to 20 N.

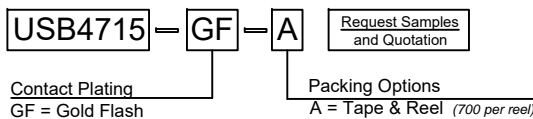
Unmated Force: 6 to 20 N after test

Durability: 10,000 cycles

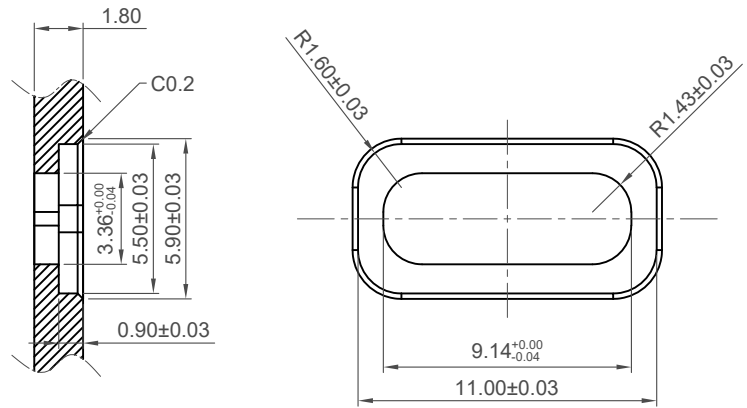
Ingress Protection Rating: IP67



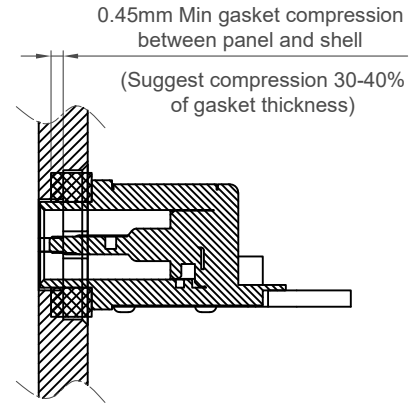
Ordering Grid



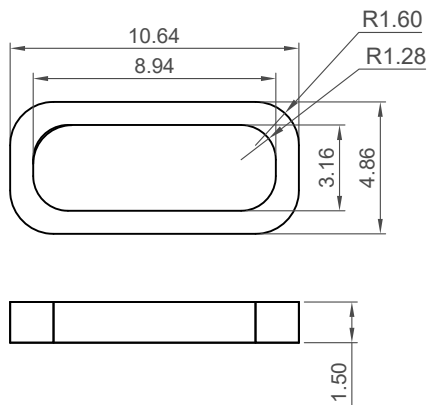
Part Number		Product Description	
USB4715		Type C Receptacle, Horizontal, Mid-Mount, SMT, IP67, For Power Charging Only, 6 Pin	
Drawing Date		4th July 2022	
By	CC	Tolerances (Except as Noted)	Units:
Detail	Drawing Release	Length	Metric (mm)
Revision	A	Angle	
Date	04/07/22	X.X ± 0.30	
		X.XX ± 0.25	
		X.XXX ± 0.10	
		This drawing is confidential and copyright of Global Connector Technology, Ltd (GCT). This drawing must not be copied or disclosed without written consent. E & OE	
Not to Scale	Drawn By CC	Sheet No. 1/4	 www.gct.co



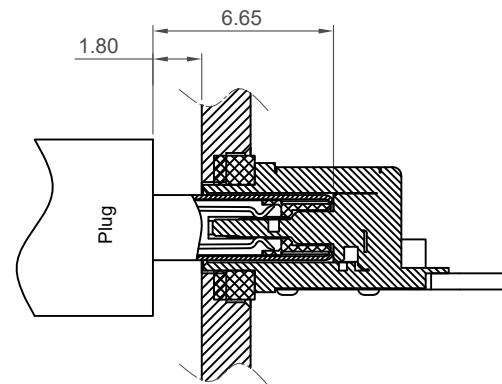
Recommended Panel Spec







(Suggest compression 30-40% of gasket thickness)

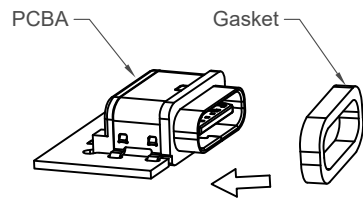


Recommended Waterproof Gasket
Gasket Part No.: USBTJ-04
(Gasket must be ordered separately)
(See separate datasheet for specification)

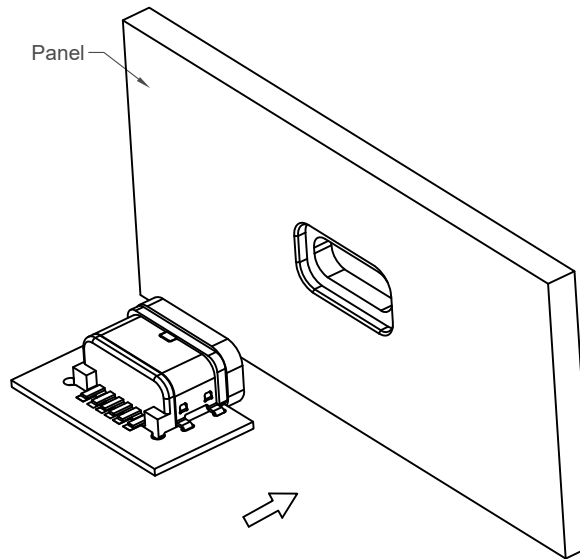


Plug and Receptacle Mating View

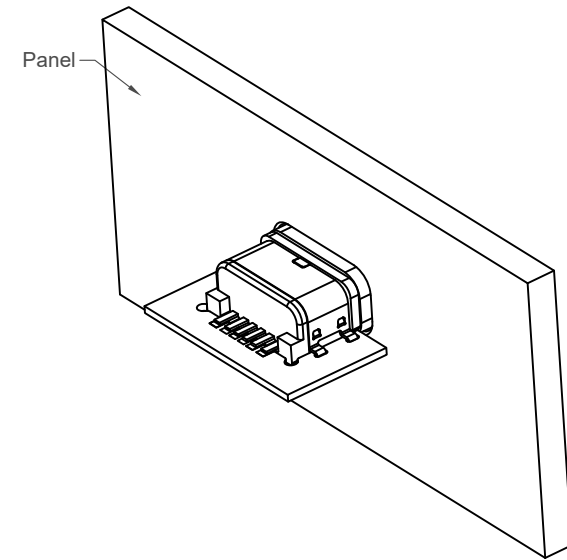
Part Number		Product Description		 www.gct.co
USB4715		Type C Receptacle, Horizontal, Mid-Mount, SMT, IP67, For Power Charging Only, 6 Pin		
Drawing Date		4th July 2022		
By	CC	Tolerances (Except as Noted)	Units:	
Detail	Drawing Release	Length	Metric (mm)	
Revision	A	Angle		
Date	04/07/22	X.X ± 0.30		
		X.XX ± 0.25		
		X.XXX ± 0.10		
				
		This drawing is confidential and copyright of Global Connector Technology, Ltd (GCT). This drawing must not be copied or disclosed without written consent. E & OE		
				Not to Scale
				Drawn By CC
				Sheet No. 2/4



Step 1






Step 2

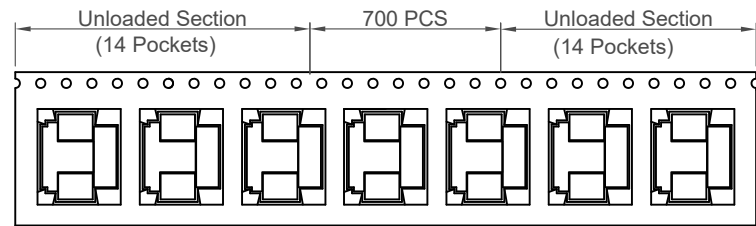


Step 3

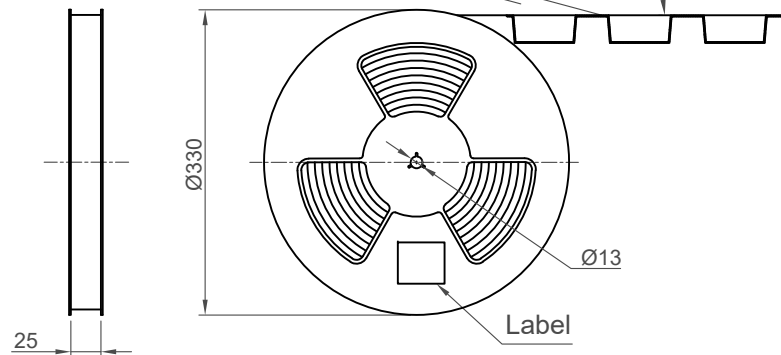
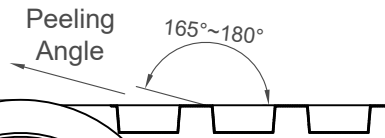
Assembly instruction for Gasket set after Reflow
 Available for Type C Receptacle Waterproof Series

Part Number		Product Description	
USB4715		Type C Receptacle, Horizontal, Mid-Mount, SMT, IP67, For Power Charging Only, 6 Pin	
Drawing Date		4th July 2022	
By	CC	Tolerances (Except as Noted)	Units:
Detail	Drawing Release	Length X.X ± 0.30	Metric (mm)
Revision	A	Angle X.XX ± 0.25	 3rd Angle Projection
Date	04/07/22	X.XXX ± 0.10	
			
		 This drawing is confidential and copyright of Global Connector Technology, Ltd (GCT). This drawing must not be copied or disclosed without written consent. E & OE	
Not to Scale	Drawn By	Sheet No.	
	CC	3/4	

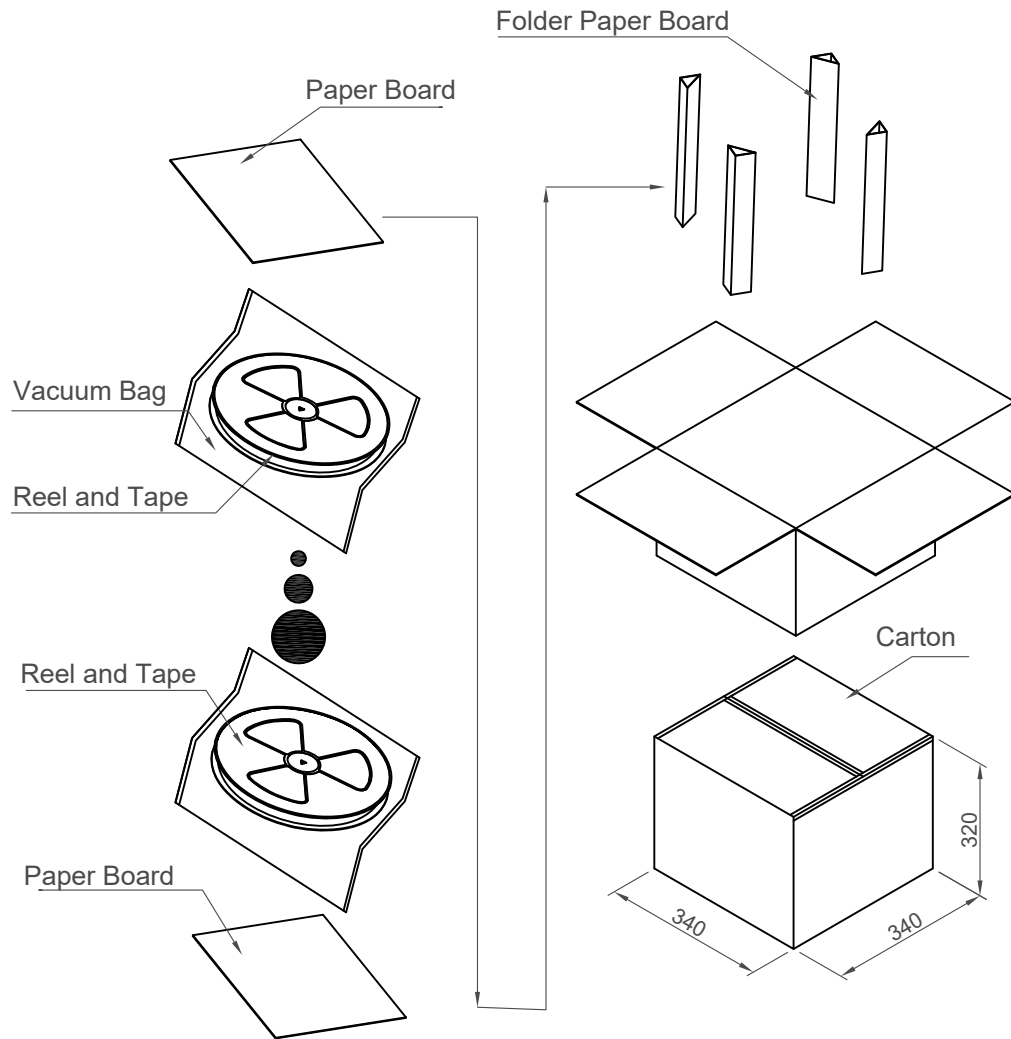
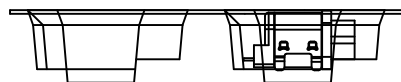
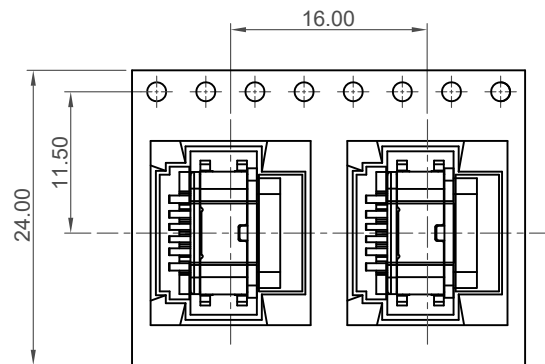




Direction of Unreeling



Direction of Unreeling



Pcs / Reel	Reels / Carton	Total Quantity
700	10	7,000 pcs

Part Number		Product Description	
USB4715		Type C Receptacle, Horizontal, Mid-Mount, SMT, IP67, For Power Charging Only, 6 Pin	
Drawing Date		4th July 2022	
By	CC	Tolerances (Except as Noted)	Units:
Detail	Drawing Release	Length	Metric (mm)
Revision	A	Angle	3rd Angle Projection
Date	04/07/22		



This drawing is confidential and copyright of Global Connector Technology, Ltd (GCT). This drawing must not be copied or disclosed without written consent. E & OE



Not to Scale Drawn By CC Sheet No. 4/4

Mouser Electronics

Authorized Distributor

Click to View Pricing, Inventory, Delivery & Lifecycle Information:

[Global Connector Technology \(GCT\):](#)

[USB4715-GF-A-KIT](#)