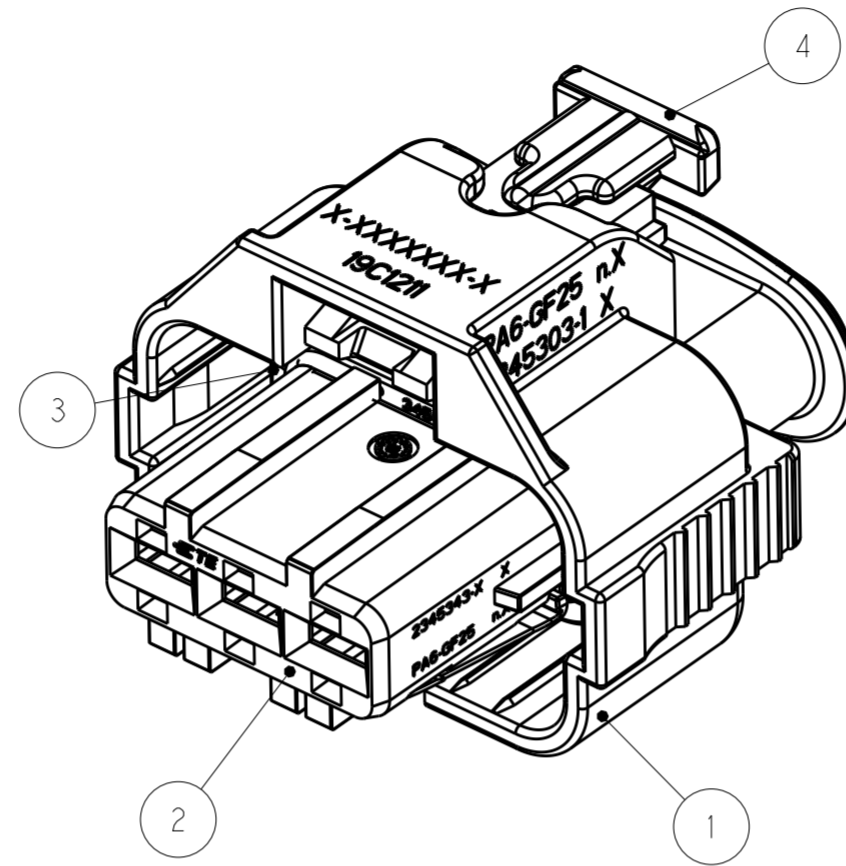
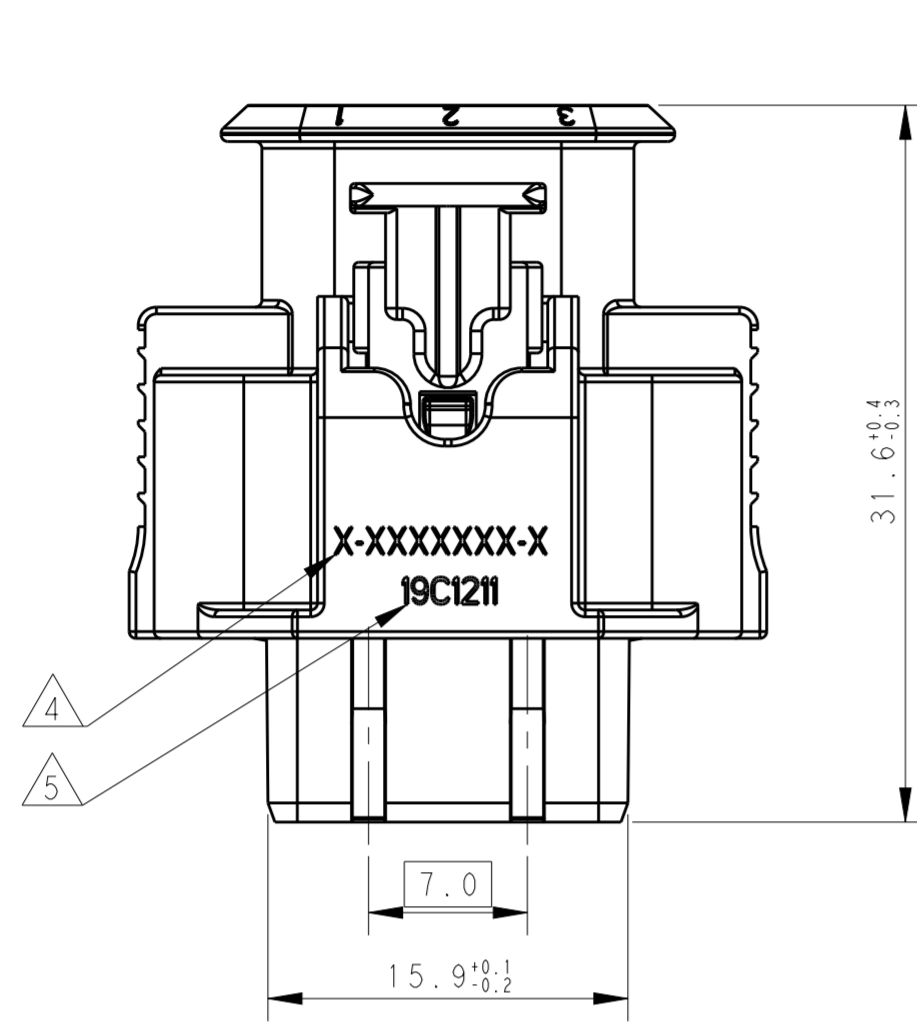


THIS DRAWING IS UNPUBLISHED. RELEASED FOR PUBLICATION
 © COPYRIGHT copyright.dbt TYCO ELECTRONICS CORPORATION ALL RIGHTS RESERVED.

REVISIONS					
P	LTR	DESCRIPTION	DATE	DWN	APVD
A		INITIAL RELEASED	26APR2019	DZ	EJ
A1		REVISE DRAWING	09DEC2019	S.Z	E.J
B		REVISE DRAWING	12NOV2020	S.Z	I.Y



1. CODING IS AS FOLLOWS. SEE TABLE 1.

2. APPLIED RECEPTACLE CONTACT P/N:

DESCRIPTION	2.8mm SENSOR-FLAT RECEPTACLE OR EQUIVALENT
PART NO.	967542 OR EQU 967543 OR EQU
WIRE SIZE	0.5~1.0 >1.0~2.5

3. APPLIED WIRE SEAL P/N:

DESCRIPTION	SINGLE-WIRE SEAL (5mm HOLE)	
PART NO.	828904	828905
INSULATION DIA. (Ø)	1.2~2.1mm	2.2~3.0mm

4. LASERPRINT MARK THE PRODUCT PART NUMBER. CHARACTER SIZE APPROX 1.2MM RAISE. CHARACTER LOCATION AND ORIENTATION AS SHOWN

5. LASERPRINT MARK DATE CODE: IDENTIFIES THE YEAR, MONTH, DAY AND HOUR OF ASSEMBLY.
 YEAR: FIRST AND SECOND DIGITS (17=2017)
 MONTH: THIRD DIGIT, EXCLUDING 1, A=JAN, B=FEB, C=MARCH... (K=OCTOBER)
 DAY: FOURTH AND FIFTH DIGITS (14=14th DAY)
 HOUR: SIXTH AND SEVENTH DIGITS (11=11AM)

6. SUPPLY CONDITION: HINGE IN PRELOCKED POSITION

7. SUPPLY CONDITION: CPA IN PRELOCKED POSITION

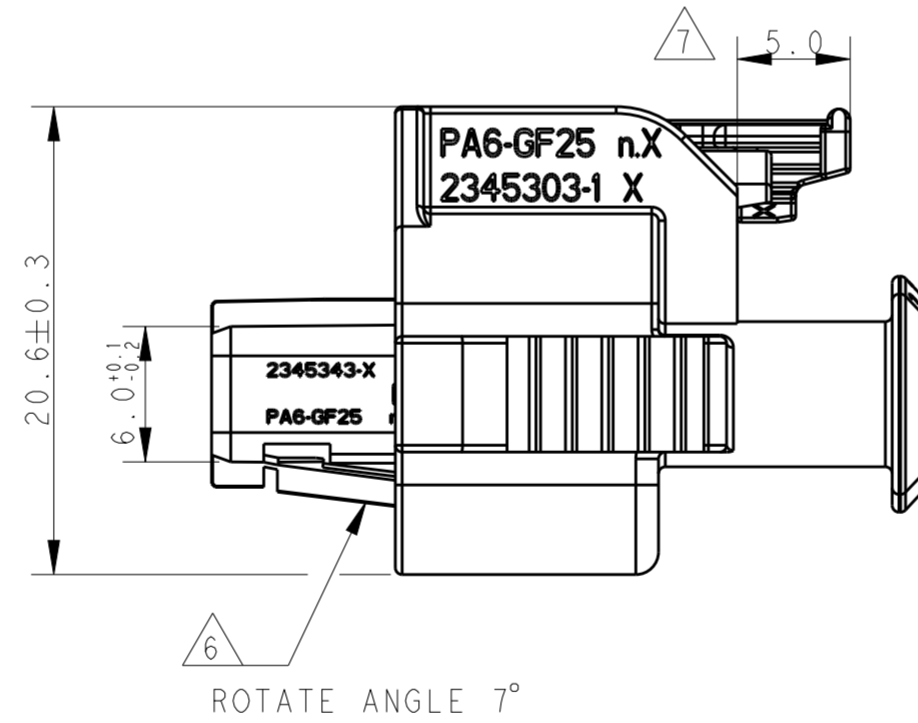
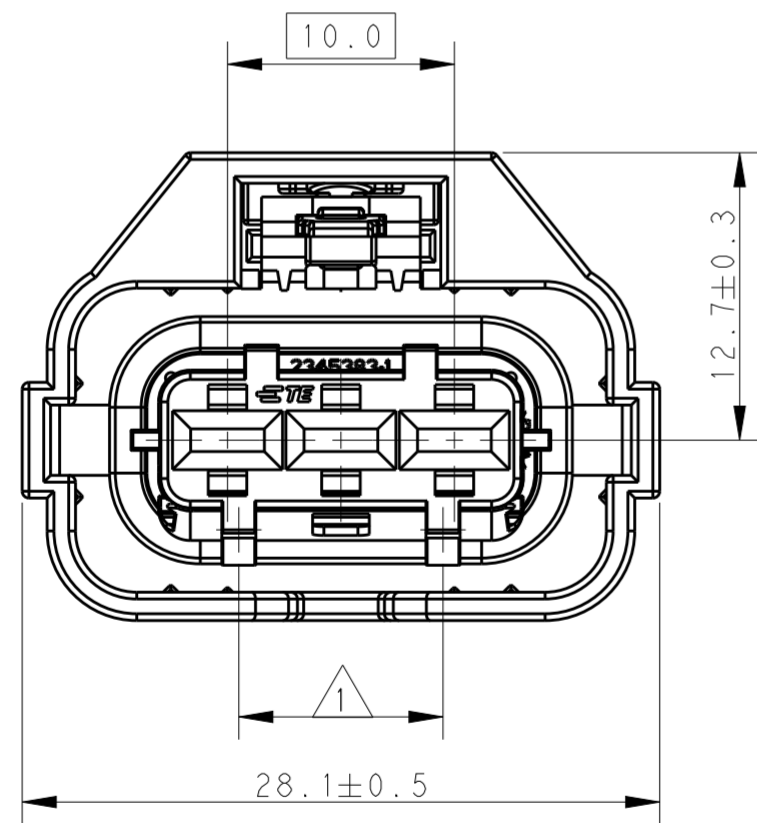
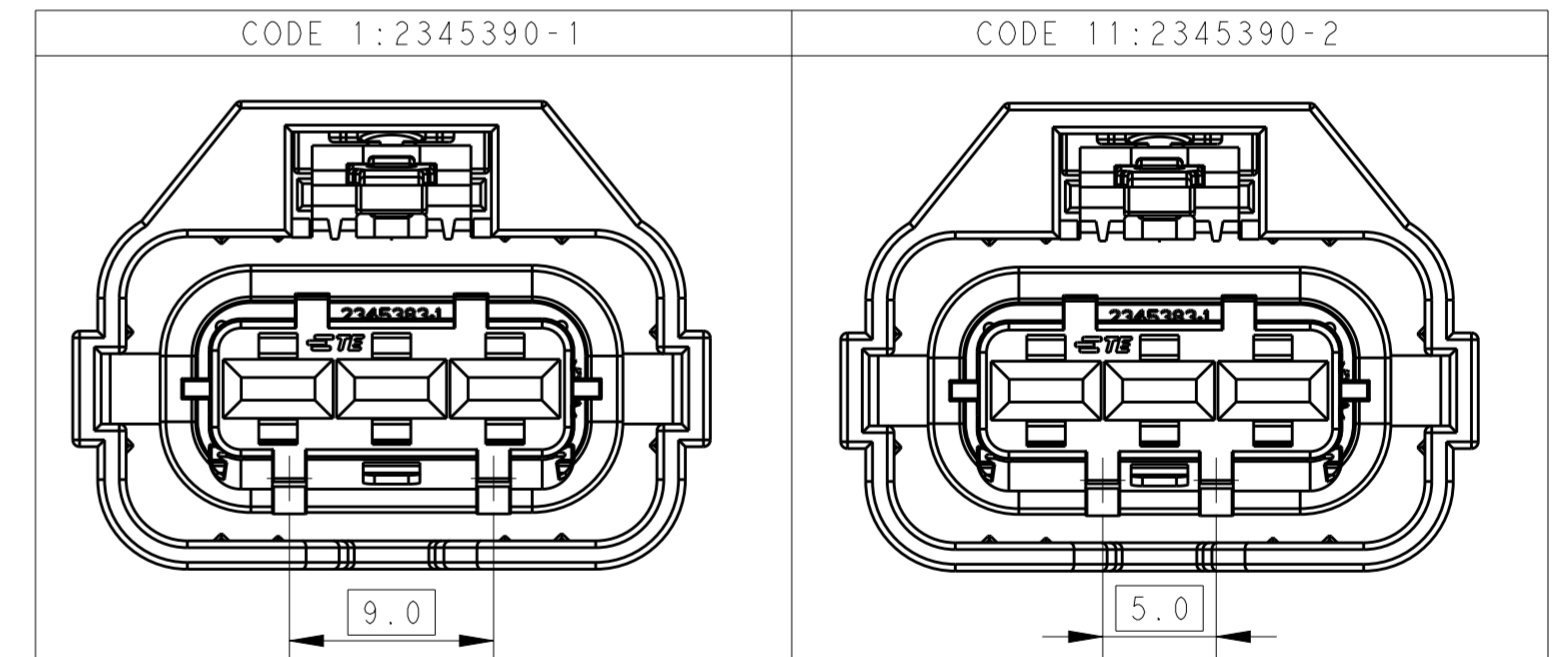


TABLE 1



1	1	PC	RED	PA46-GF15	CPA	4
1	1	PC	GREEN	SILICON	INNER SEAL	3
1		PC	YELLOW	PA6-GF25	CODE 11	2
	1	PC	BLUE	PA6-GF25	CODE 1	2
1	1	PC	BLACK	PA6-GF25	HOUSING	1
-2	-1	U/M	COLOR	MATERIAL	DESCRIPTION	ITEM
B	B	REVISION OF EACH ASSY NO.				
5.6	5.6	WEIGHT OF EACH ASSY NO. [g]				
QTY PER ASSY						PARTS LIST

THIS DRAWING IS A CONTROLLED DOCUMENT.		DWN D. ZHAO 26APR2019	TE Connectivity NAME SEALED-3P-PLUG-CPA-ASSEMBLY (FLAT SENSOR CONNECTOR)			
DIMENSIONS:		CHK E. JIANG 26APR2019				
mm		APVD I. YIN 26APR2019				
TOLERANCES UNLESS OTHERWISE SPECIFIED:		PRODUCT SPEC				
0 PLC ±0.3		108-32584	SIZE	CAGE CODE	DRAWING NO.	RESTRICTED TO
1 PLC ±		APPLICATION SPEC	A2	G-2345390		
2 PLC ±		114-160078	SCALE	2:1	SHEET	OF
3 PLC ±		WEIGHT			1	1
4 PLC ±			CUSTOMER DRAWING			REV
ANGLES ±5°						B
FINISH						
SEE TABLE		N/A				

Mouser Electronics

Authorized Distributor

Click to View Pricing, Inventory, Delivery & Lifecycle Information:

[TE Connectivity:](#)

[2345390-2](#)