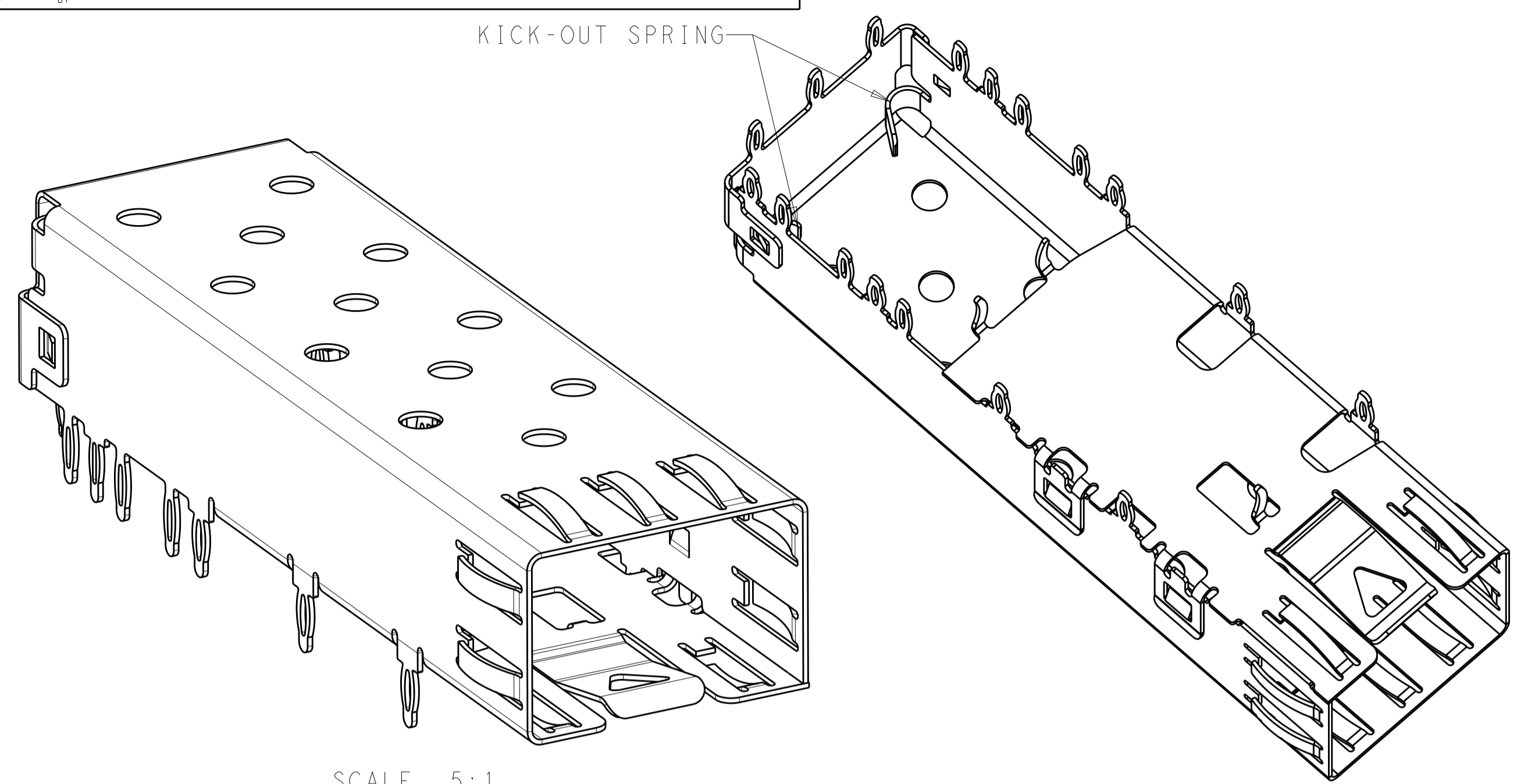


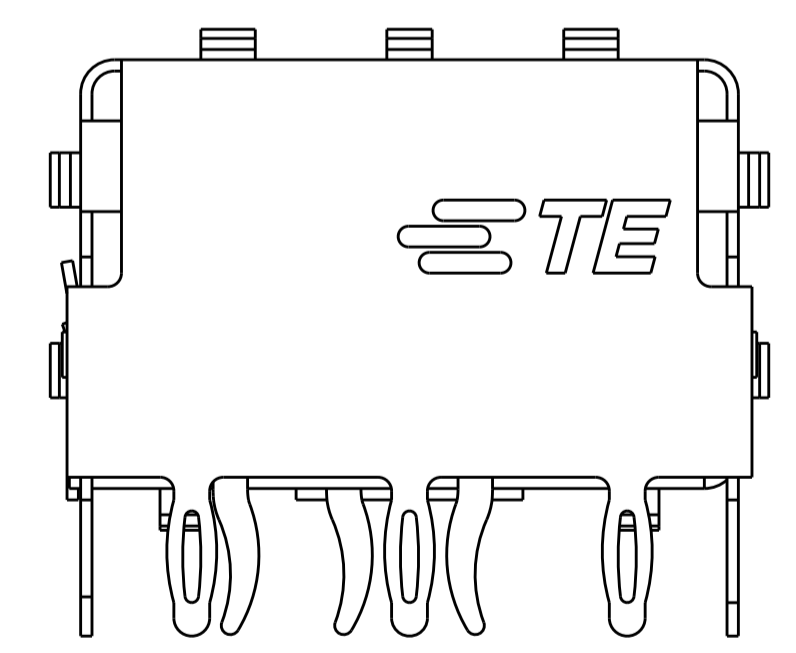
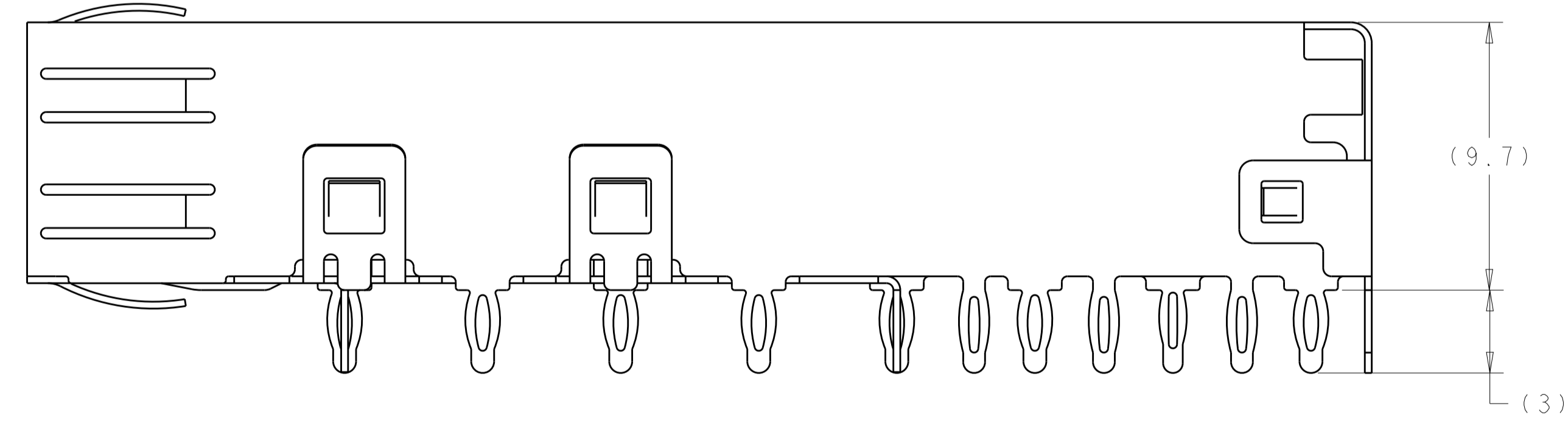
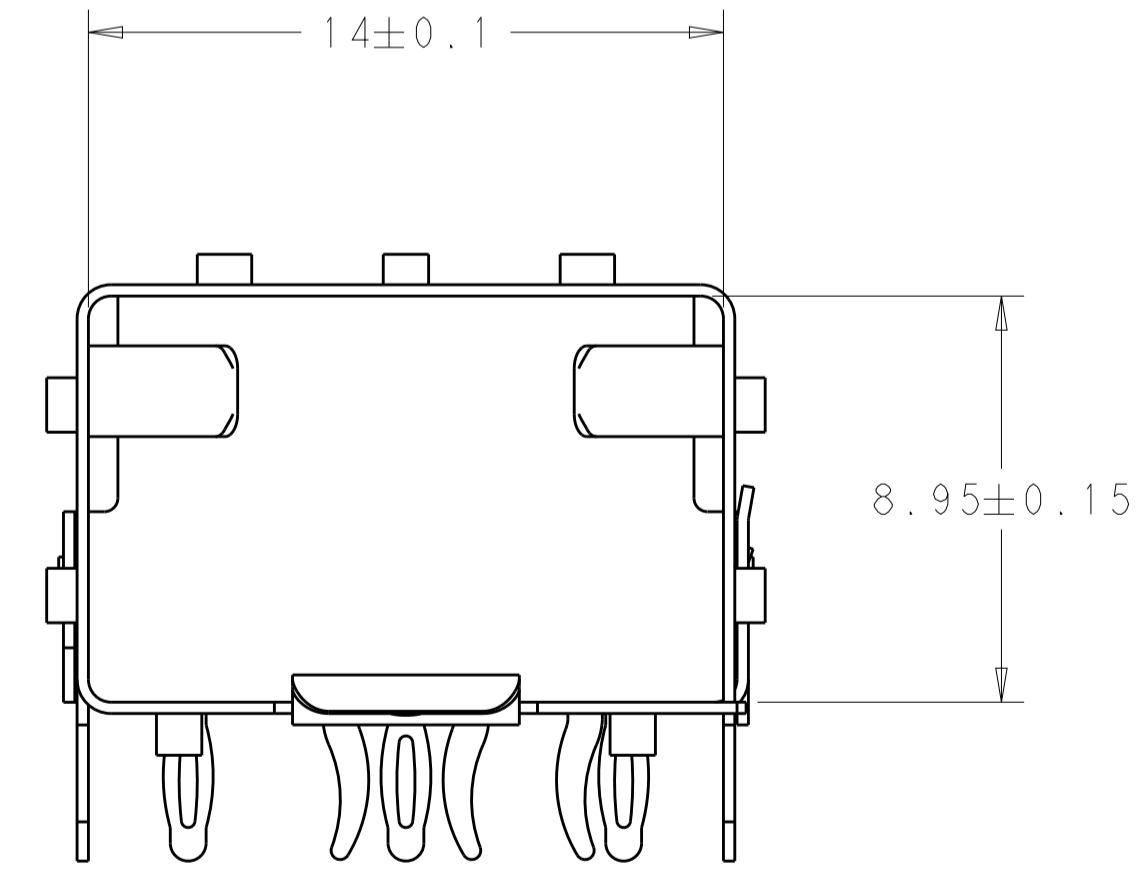
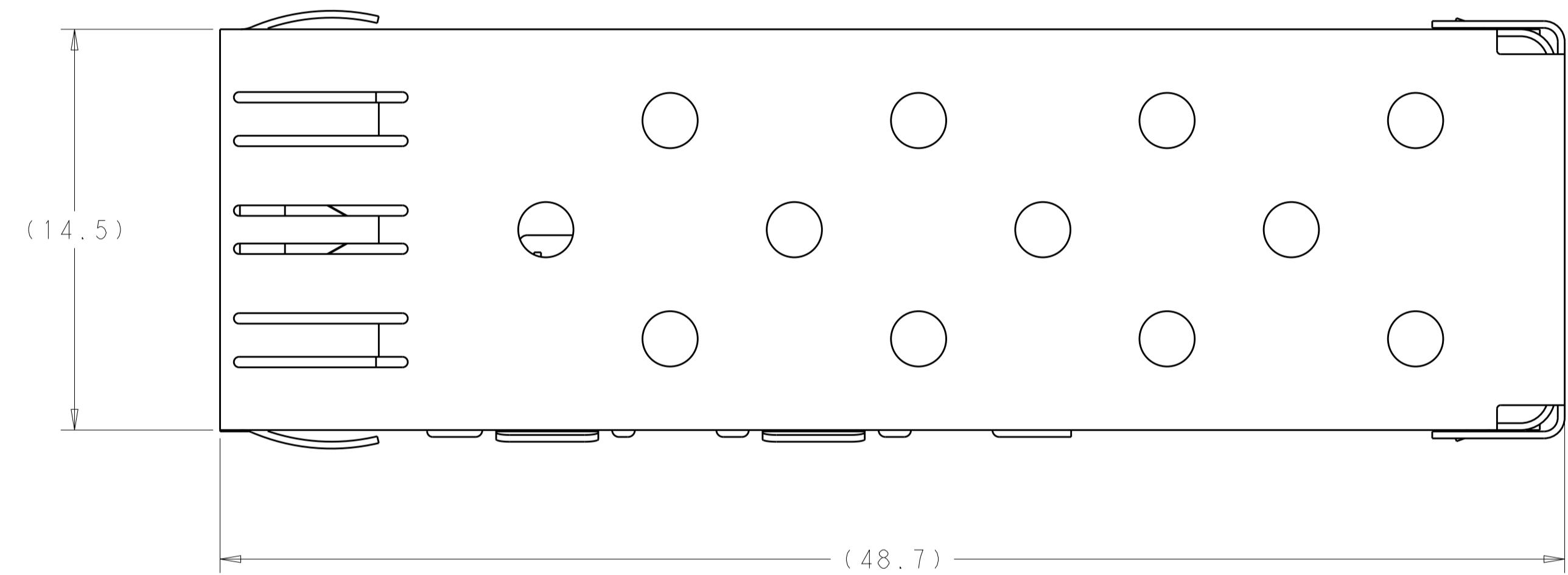
LOC		DIST		REVISONS			
GP		00		REV	DATE	BY	CHK
A	INITIAL RELEASE	20APR2014	CW	SH			
B	ADD-3	25OCT2016	PP	SH			



SCALE 5:1

SCALE 4:1

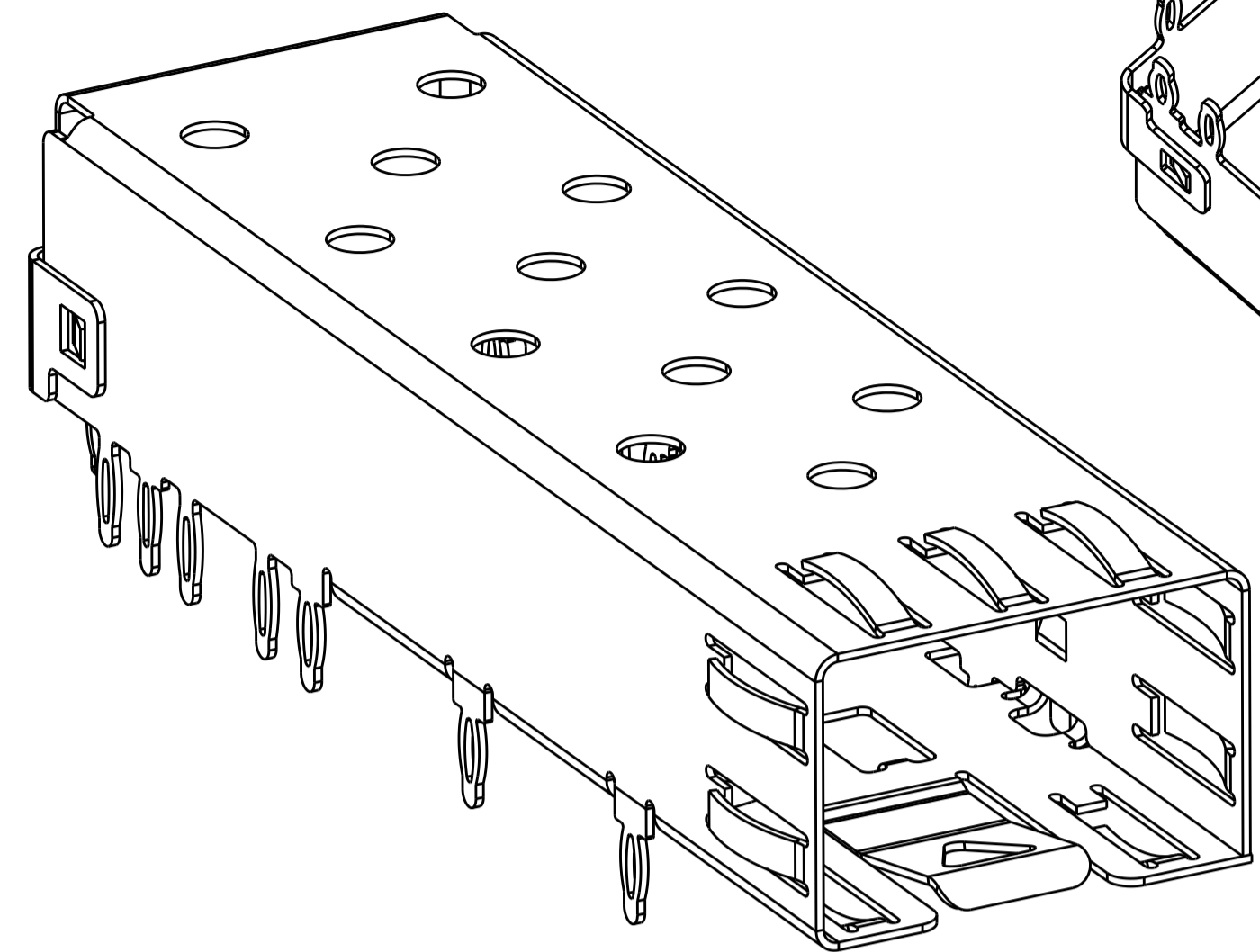
- 1 MATERIAL: 0.25mm THICK STAINLESS STEEL.
- 2 FINISH: NICKEL, NON PLATED EDGES PERMISSIBLE.
- 3. MATES WITH SFP MSA COMPLIANT TRANSCEIVERS.
- 4 PADS AND VIAS CHASSIS GROUND.
- 5 DATUM AND BASIC DIMENSION ESTABLISHED BY CUSTOMER.
- 6. MINIMUM PC BOARD THICKNESS:
SINGLE SIDED = 1.50 mm
- 7 REFERENCE APPLICATION SPEC. 114-13120, HOLE A, FOR
RECOMMENDED DRILL HOLE DIAMETER AND PLATING THICKNESS(EXCEPT IMMERSION SILVER PLATING).
- 8 REFERENCE APPLICATION SPEC. 114-13120, HOLE C, FOR
RECOMMENDED DRILL HOLE DIAMETER AND PLATING THICKNESS(EXCEPT IMMERSION SILVER PLATING).
- 9. THE RECOMMENDED DIMENSIONS FOR HOLES ON PAGE 2/2 ARE NOT COMPATIBLE WITH IMMERSION SILVER PLATING HOLES
BECAUSE OF OVERLARGE INSERTION FORCE.



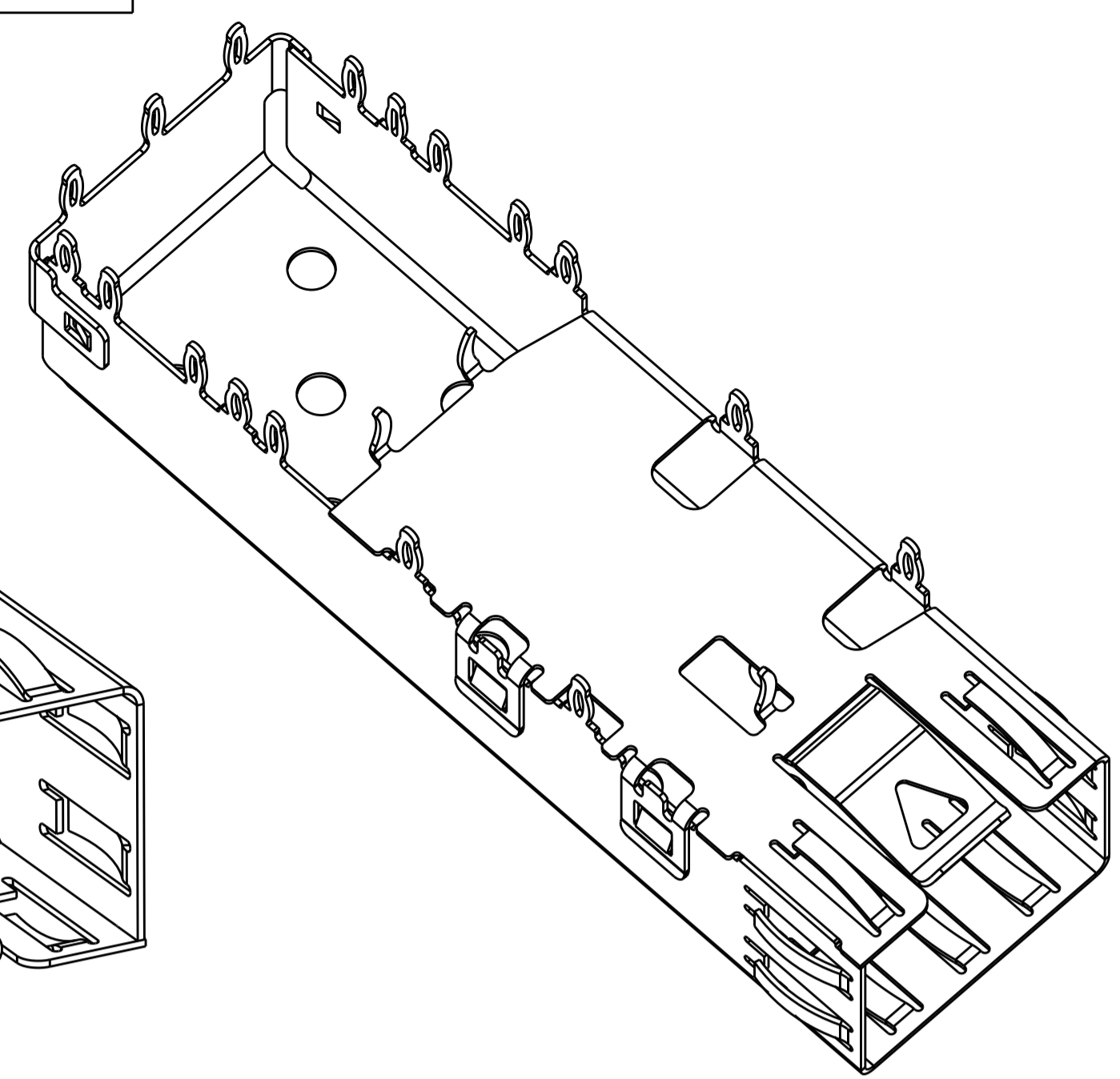
WITHOUT KICK-OUT SPRING(PAGE 2)	2227023-3
WITH KICK-OUT SPRING(PAGE 1)	2227023-1
DESCRIPTION	PART NUMBER

THIS DRAWING IS A CONTROLLED DOCUMENT. DIMENSIONING AND TOLERANCING PER ASME Y14.5M-2009		DWN C. VALENTINE 07NOV2012	STE Connectivity	
TOLERANCES UNLESS OTHERWISE SPECIFIED:		CHK M. SCHMITT 07NOV2012	APVD M. SCHMITT 07NOV2012	
DIMENSIONS:	mm	PRODUCT SPEC	NAME	
0 PLC	±	108-1950	SFP, 1X1 SINGLE PIECE CAGE, PRESS FIT	
1 PLC	±0.2	APPLICATION SPEC	SIZE	
2 PLC	±0.1	114-13120	CAGE CODE DRAWING NO	
3 PLC	±0.1	WEIGHT	RESTRICTED TO	
4 PLC	±		A100779C=2227023	
ANGLES	±		SCALE 6:1 SHEET 1 OF 3 REV B	
FINISH		CUSTOMER DRAWING		

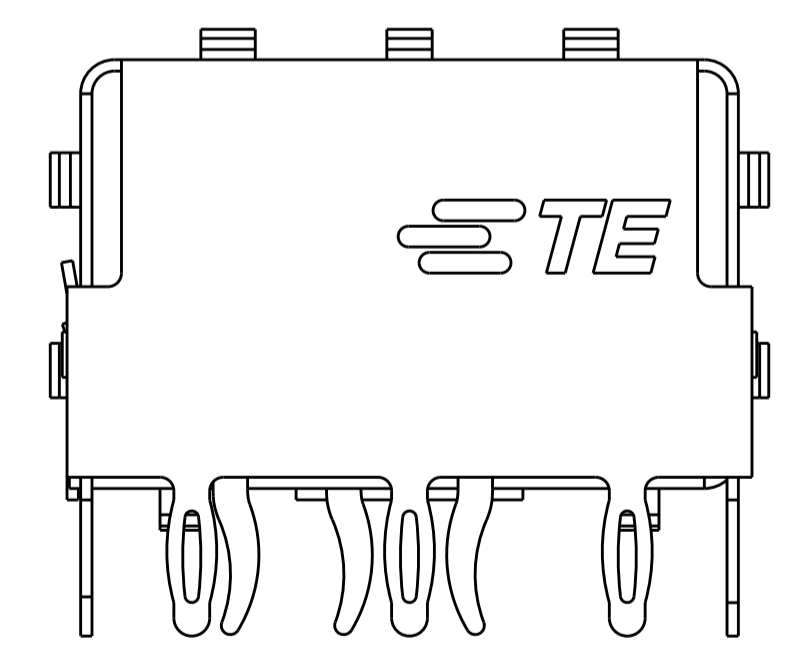
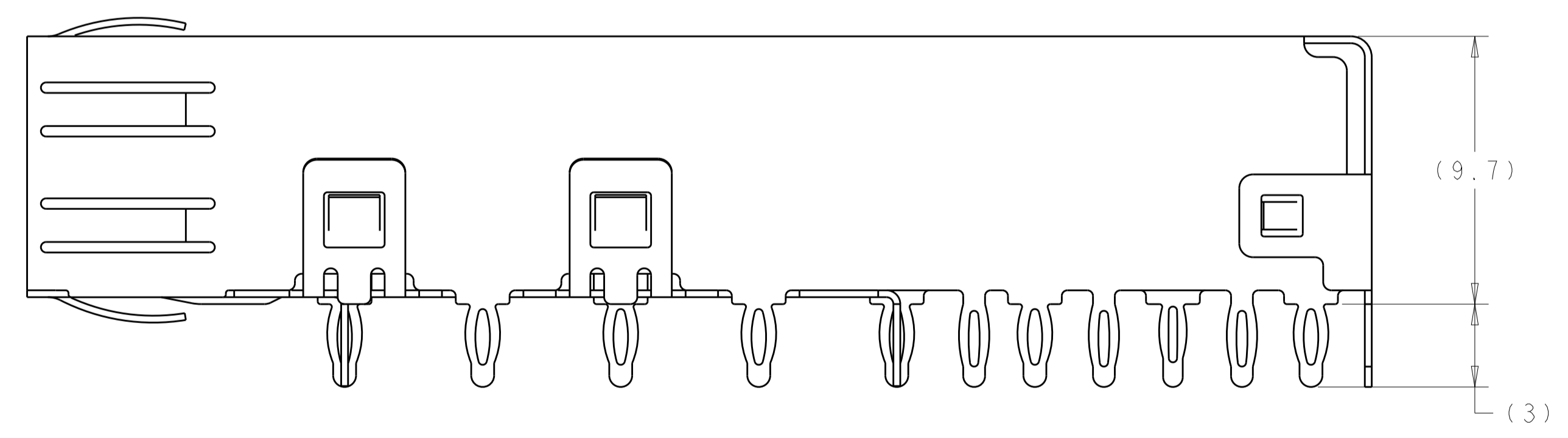
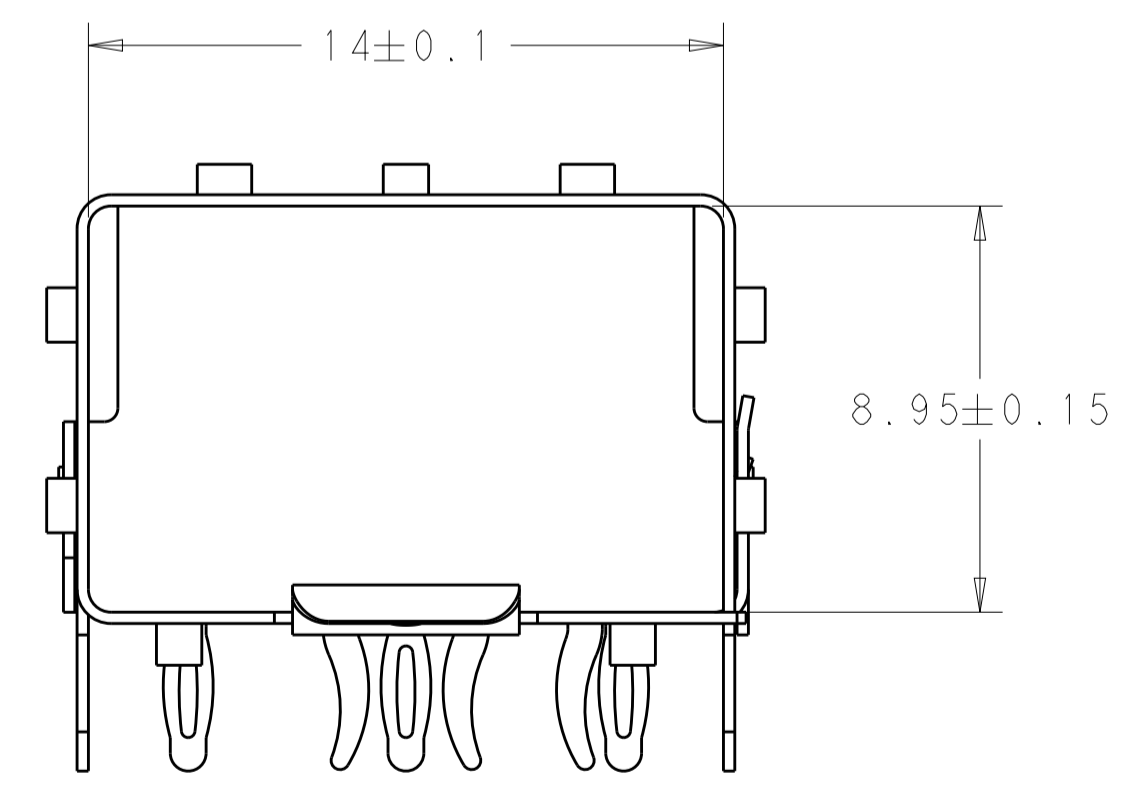
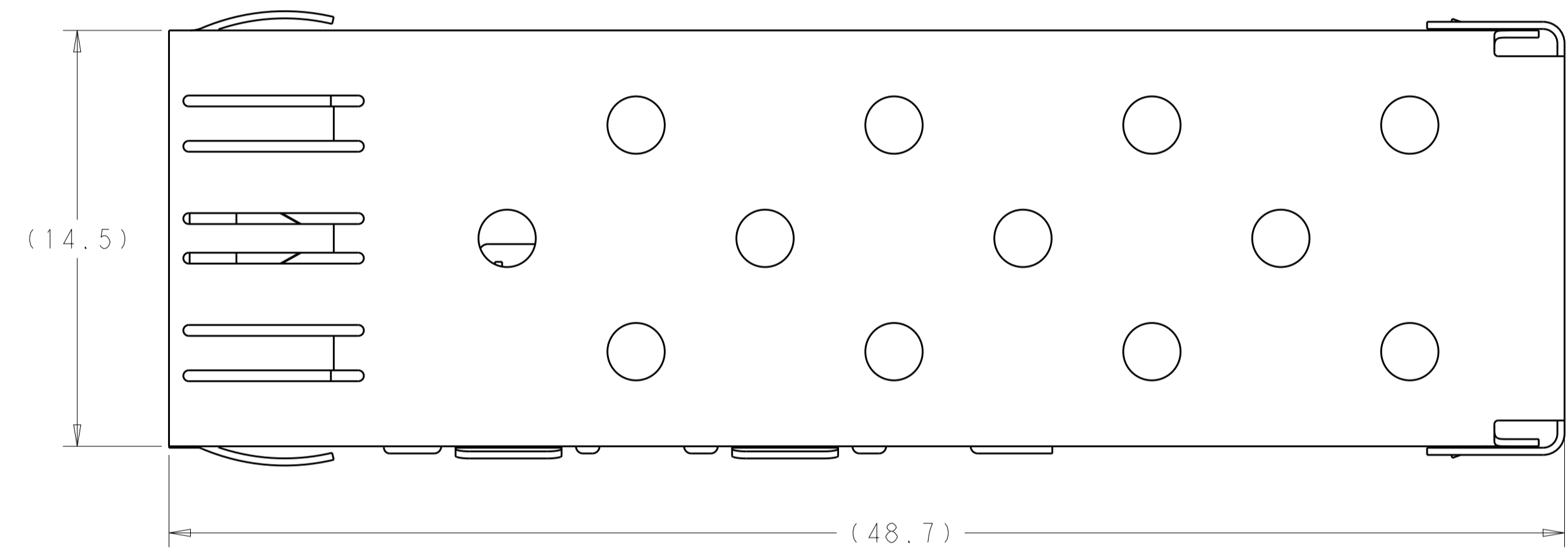
LOC		DIST		REVISIONS			
P.	LTN	DESCRIPTION	DATE	DWN	APVD		
-	-	SEE SHEET 1	-	-	-		



SCALE 5:1

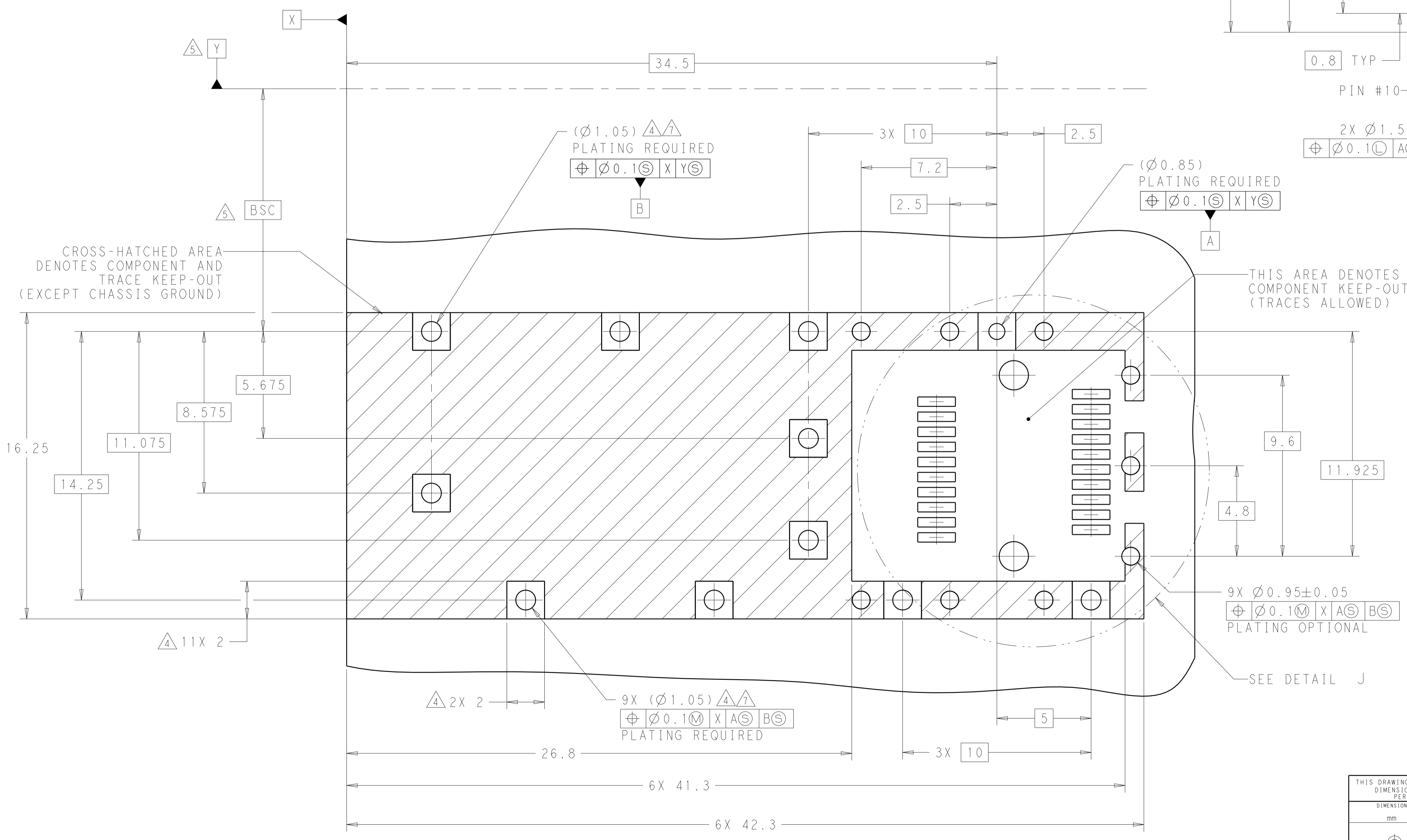
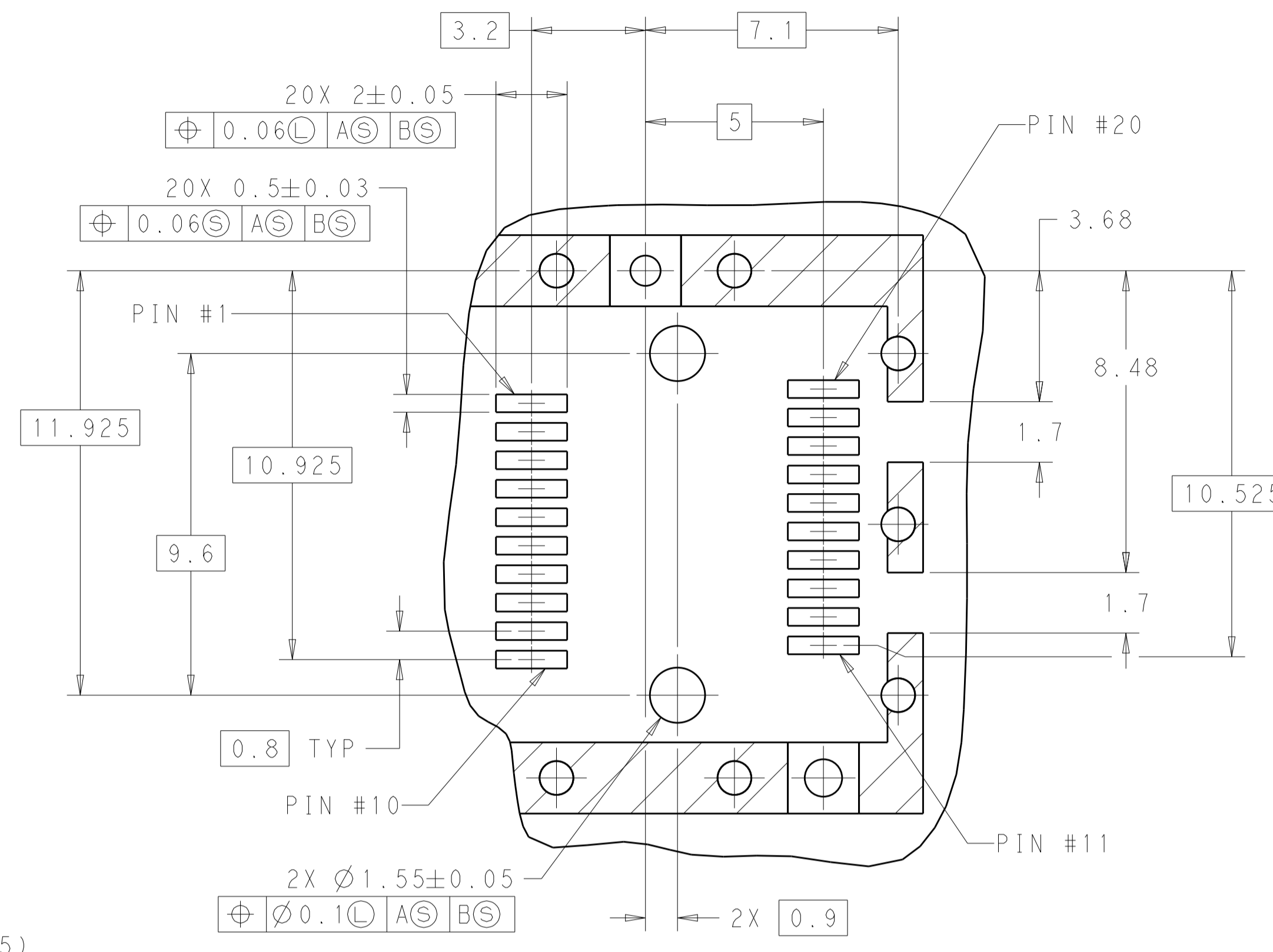
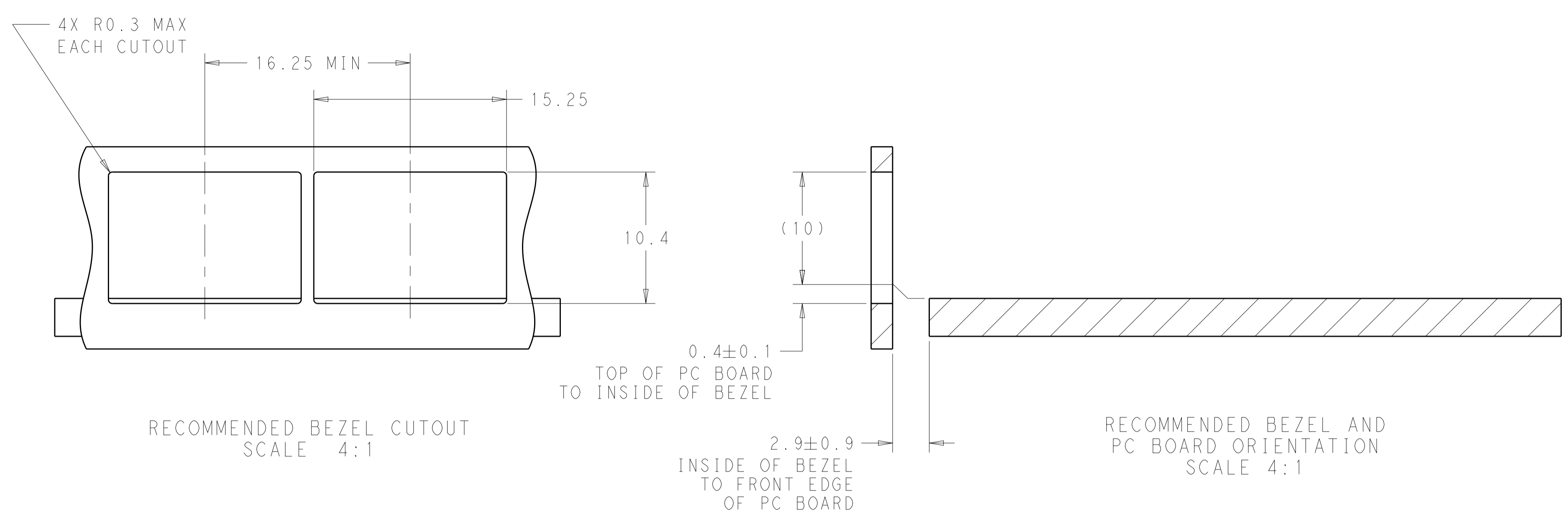


SCALE 4:1



THIS DRAWING IS A CONTROLLED DOCUMENT.		DWN C. VALENTIN 07NOV2012	TE Connectivity
DIMENSIONS:		CHK M. SCHMITT 07NOV2012	
mm	TOLERANCES UNLESS OTHERWISE SPECIFIED:	APVD M. SCHMITT 07NOV2012	NAME SFP, 1X1 SINGLE PIECE CAGE, PRESS FIT
0 PLC	±	PRODUCT SPEC	SIZE
1 PLC	±0.2	108-1950	CAGE CODE
2 PLC	±0.1	APPLICATION SPEC	DRAWING NO
3 PLC	±0.1	114-13120	RESTRICTED TO
4 PLC	±	WEIGHT	A100779C=2227023
ANGLES	±	Customer Drawing	SCALE 6:1 SHEET 2 OF 3 REV B
MATERIAL	FINISH		

LOC	DIST	REV	DATE	DWN	APVD
GP	00				



THIS DRAWING IS A CONTROLLED DOCUMENT. DIMENSIONING AND TOLERANCING PER ASME Y14.5M-2009		DWN: C. VALENTINE 07NOV2012 CHK: M. SCHMITT 07NOV2012 APVD: M. SCHMITT 07NOV2012	TE Connectivity	
DIMENSIONS: mm		PRODUCT SPEC: 108-1950	NAME: SFP, 1X1 SINGLE PIECE CAGE, PRESS FIT	
TOLERANCES UNLESS OTHERWISE SPECIFIED:		APPLICATION SPEC: 114-13120	RESTRICTED TO: -	
MATERIAL: -		WEIGHT: -	SCALE: 1:1	
FINISH: -		CUSTOMER DRAWING	SHEET 3 OF 3 REV B	

Mouser Electronics

Authorized Distributor

Click to View Pricing, Inventory, Delivery & Lifecycle Information:

[TE Connectivity:](#)

[2227023-1](#)