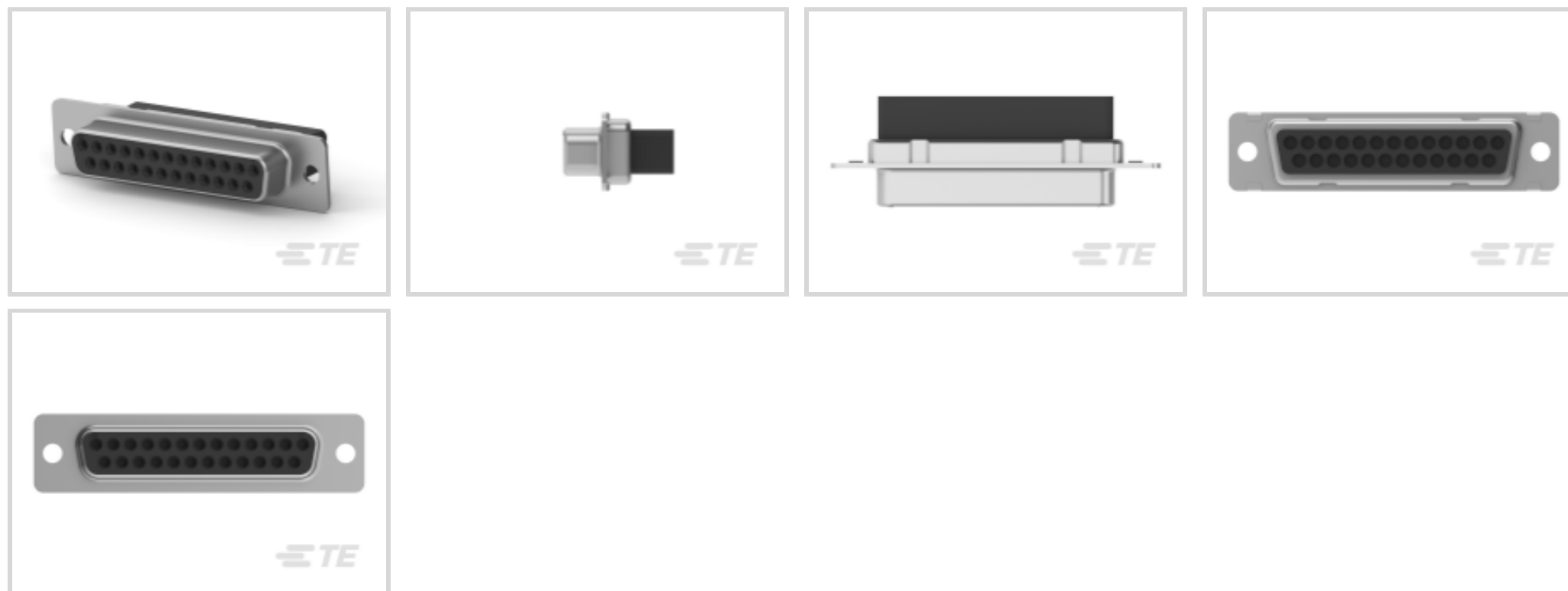




Connectors > D-Shaped Connectors > D-Sub Accessories > D-Sub Backshells & Clamps



Number of Positions: 25

Compatible With Connector Shell Size: 3

Shielded: No

Sealable: No

Features

Product Type Features

Sealable	No
----------	----

Configuration Features

Number of Positions	25
---------------------	----

Operation/Application

Compatible With Connector Shell Size	3
Shielded	No

Product Compliance

[For compliance documentation, visit the product page on TE.com>](#)

EU RoHS Directive 2011/65/EU	Compliant
EU ELV Directive 2000/53/EC	Compliant
China RoHS 2 Directive MIIT Order No 32, 2016	No Restricted Materials Above Threshold
EU REACH Regulation (EC) No. 1907/2006	Current ECHA Candidate List: JAN 2023 (233) Candidate List Declared Against: JAN 2023 (233) Does not contain REACH SVHC
Halogen Content	Not Low Halogen - contains Br or Cl > 900

ppm.

Solder Process Capability

Not applicable for solder process capability

Product Compliance Disclaimer

This information is provided based on reasonable inquiry of our suppliers and represents our current actual knowledge based on the information they provided. This information is subject to change. The part numbers that TE has identified as EU RoHS compliant have a maximum concentration of 0.1% by weight in homogenous materials for lead, hexavalent chromium, mercury, PBB, PBDE, DBP, BBP, DEHP, DIBP, and 0.01% for cadmium, or qualify for an exemption to these limits as defined in the Annexes of Directive 2011/65/EU (RoHS2). Finished electrical and electronic equipment products will be CE marked as required by Directive 2011/65/EU. Components may not be CE marked. Additionally, the part numbers that TE has identified as EU ELV compliant have a maximum concentration of 0.1% by weight in homogenous materials for lead, hexavalent chromium, and mercury, and 0.01% for cadmium, or qualify for an exemption to these limits as defined in the Annexes of Directive 2000/53/EC (ELV). Regarding the REACH Regulation, the information TE provides on SVHC in articles for this part number is based on the latest European Chemicals Agency (ECHA) 'Guidance on requirements for substances in articles' posted at this URL: <https://echa.europa.eu/guidance-documents/guidance-on-reach>

Compatible Parts

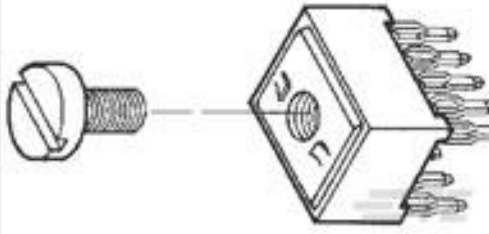


TE Part # 1658649-1
KIT,HDP-20,OVRMLD,RCPT,SIZE 3,

Customers Also Bought



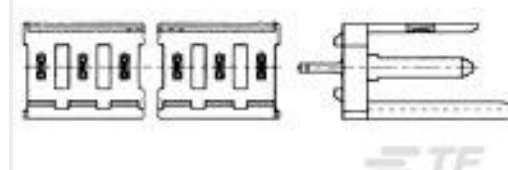
TE Part #207601-1
METRIMATE,STR REL KIT,9P



TE Part #5055556-9
10 POWER TAP ASSY .125



TE Part #5-103908-1
02 MTE HDR SRST LATCH W/HLDWN



TE Part #280610-2
4P MOD 1 SHROUDED HEADER, ST, 0.4 Au



TE Part #5555153-1
MJ,LPF,R/A,8P,PCBG,PSTP.15TTR



TE Part #794772-2
02P MINI UMNL SEAL,DIE CUT



TE Part #3-1630027-1
HSC300 3R6 5%



TE Part #1-102541-5
34 AMPMODU MT COVER DR .100CL



Documents

CAD Files

3D PDF

3D

Customer View Model

[ENG_CVM_CVM_747553-3_G.2d_dxf.zip](#)

English

Customer View Model

[ENG_CVM_CVM_747553-3_G.3d_igs.zip](#)

English

Customer View Model

[ENG_CVM_CVM_747553-3_G.3d_stp.zip](#)

English

By downloading the CAD file I accept and agree to the [Terms and Conditions](#) of use.

Agency Approvals

UL Report

English