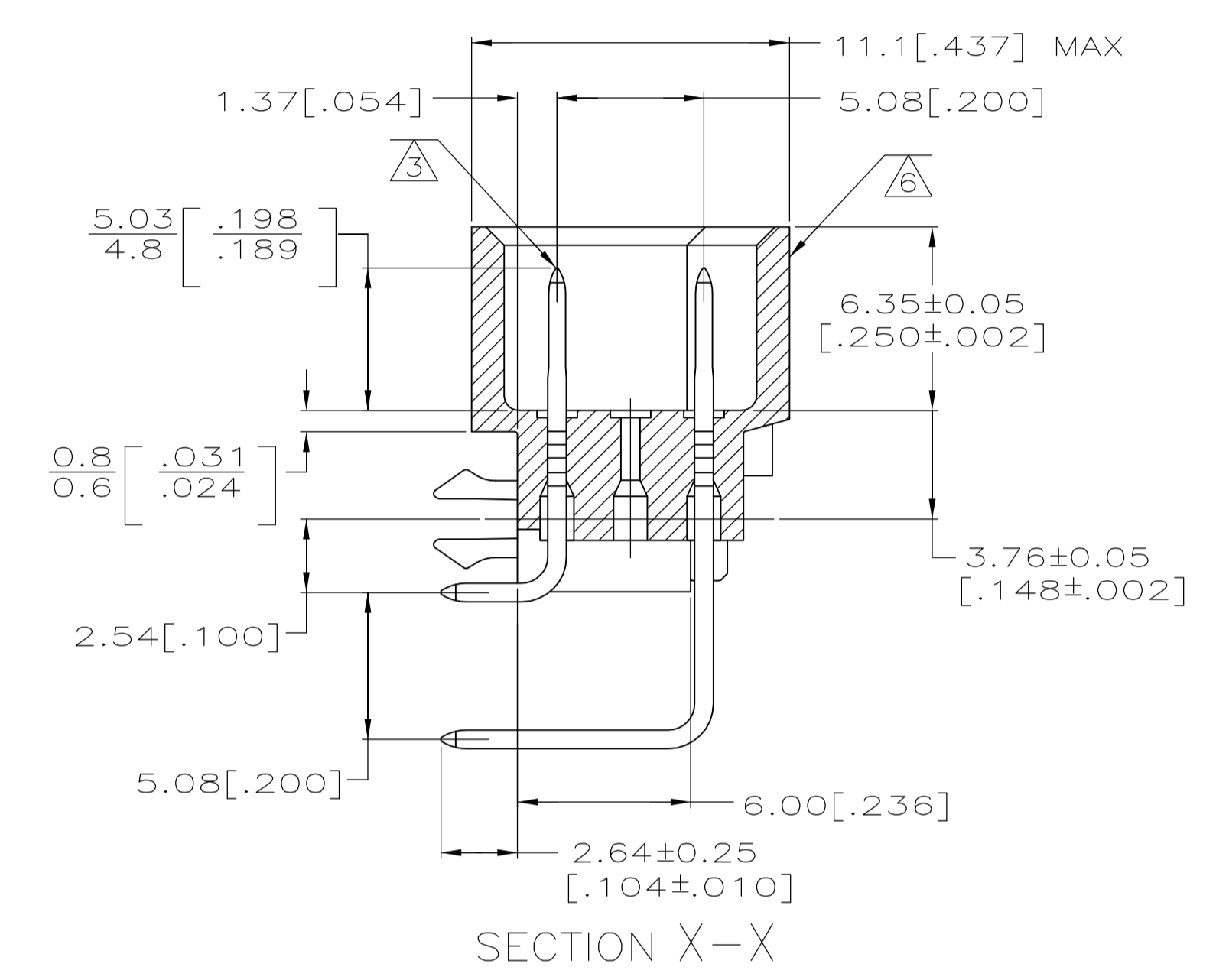
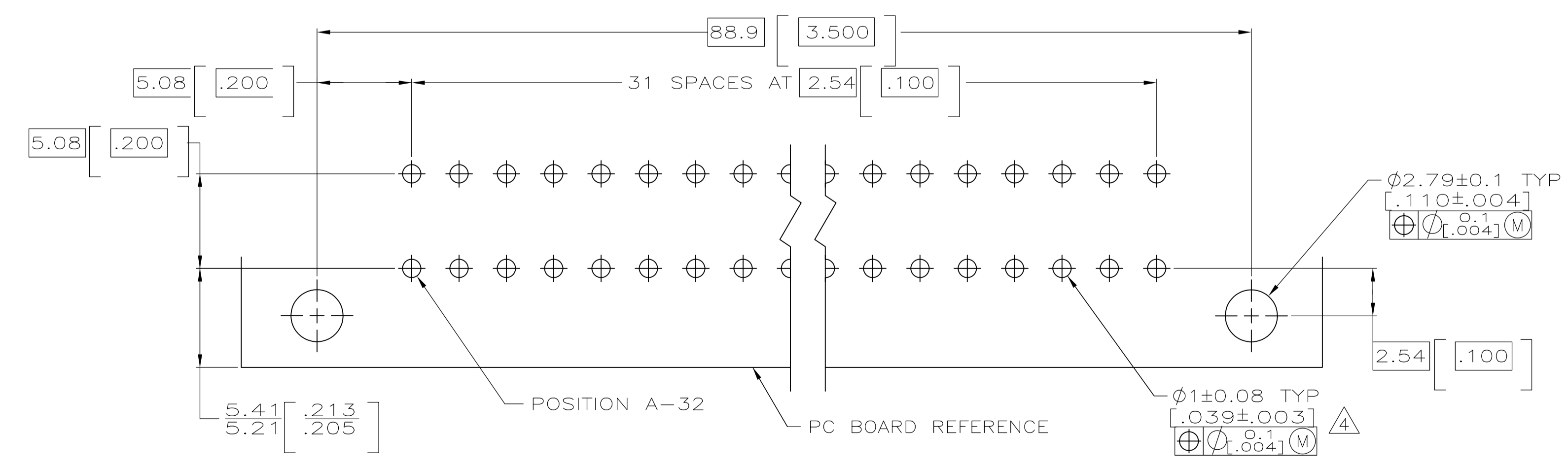


- ① HOUSING MATERIAL: GLASS-FILLED POLYESTER. COLOR: GRAY.
- ② POST MATERIAL: BRASS.
- ③ POST FINISH: DIN 41612 CLASS 2 IN CONTACT AREA. TIN-LEAD PLATE ON POSTS.
- ④ RECOMMENDED HOLE SIZE FOR MANUAL APPLICATION OF CONNECTOR ONTO PC BOARD.
- ⑤ [PART NUMBER, DATE CODE] MARKED THIS APPROXIMATE AREA.
- ⑥ MARKING ON THIS SIDE.
- ⑦ POST FINISH: DIN 41612 CLASS 3 IN CONTACT AREA. TIN-LEAD PLATE ON POSTS.



REFERENCE FAMILY DRAWING 650473 FOR ALL TYPE C HEADER OFFERINGS



PC BOARD LAYOUT  
RECOMMENDED PC BOARD THICKNESS 1.57[.062]

SUPERSEDED BY 536356-5	⑦	1-32	X	-	X	96	536356-9
	③	1-32	X	-	X	96	536356-5
NOTES	POSITIONS LOADED	C	B	A	NO. OF LOADED POSITION	ASSY PART NUMBER	

THIS DRAWING IS A CONTROLLED DOCUMENT.		DIN L. BRINER 5/27/92	STE TE Connectivity	
DIMENSIONS: mm (INCHES)		CHK F. SHANNON 5/28/92	NAME	
TOLERANCES UNLESS OTHERWISE SPECIFIED:		APPD F. SHANNON 5/28/92	PRODUCT SPEC	
0. PLC ± -	1. PLC ± -	APPLICATION SPEC		
2. PLC ± 0.13[.005]	3. PLC ± -	SIZE CAGE CODE DRAWING NO		
4. PLC ± -	ANGLES ± -	RESTRICTED TO		
MATERIAL HOUSING: ①	FINISH	WEIGHT	A1 00779 C=536356	
POST: ②	POST: ③	CUSTOMER DRAWING	SCALE 5:1	SHEET 1 OF 1 REV G

# Mouser Electronics

Authorized Distributor

Click to View Pricing, Inventory, Delivery & Lifecycle Information:

[TE Connectivity:](#)

[536356-5](#)