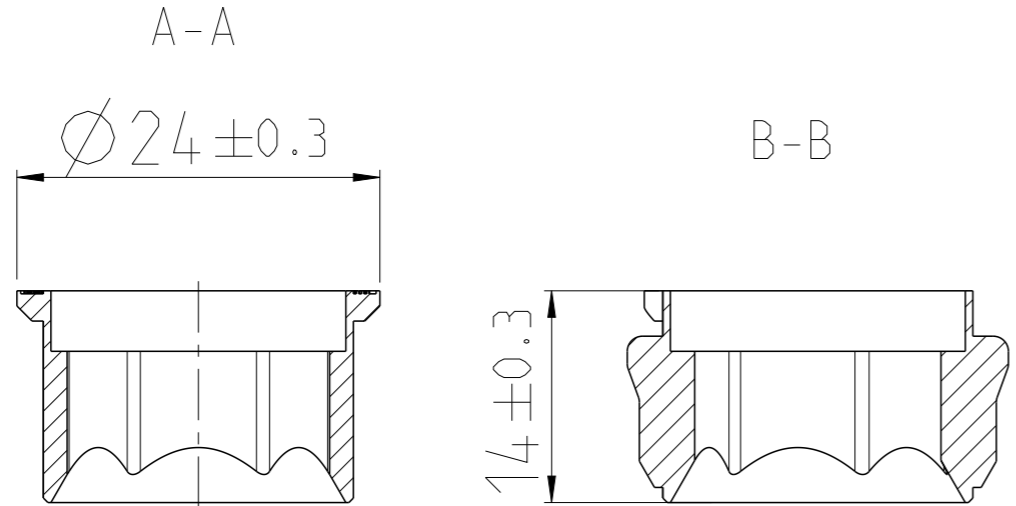


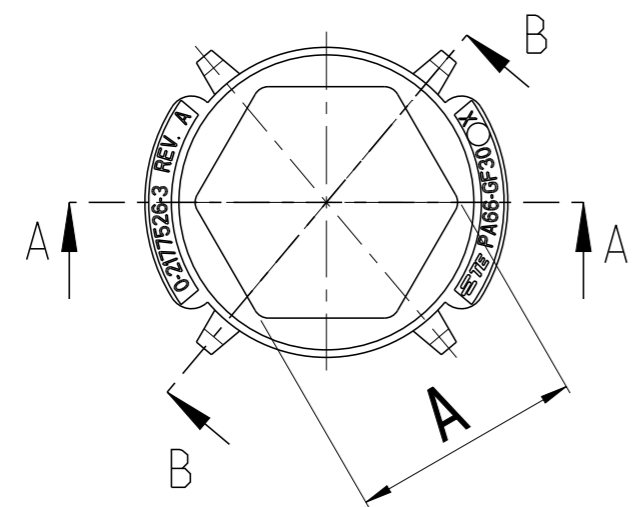
THIS DRAWING IS UNPUBLISHED.  
 VERTRAULICHE UNVEROEFFENTLICHTE ZEICHNUNG  
 © COPYRIGHT 2012 Tyco Electronics AMP GmbH  
 RELEASED FOR PUBLICATION  
 FREI FUER VEROEFFENTLICHUNG  
 - - 2012  
 ALL RIGHTS RESERVED.  
 ALLE RECHTE VORBEHALTEN.

MATED WITH: PASSEND ZU:	LOC A1	DIST -	REVISIONS AENDERUNGEN				
	PROJEKT NR.:	P	LTR	DESCRIPTION BESCHREIBUNG	DATE	DWN	APVD
			A	NEW DRAWING	25APR2013	MKP	FKA
			B	0-1 PART MODIFICATION	21AUG2019	SK	PR



NOTES  
Bemerkungen

1 SUPPLIED FROM: LOOSE PIECE PACKED INTO CARTON  
 Lieferform: Schuettgut in Karton verpackt



0-2177526-4	16.2±0.25	ANTI ROTATION SAFEGUARD -HV-1POS.-IPT 50 mm <sup>2</sup> Verdrehschutz-HV-1pol. -IPT 50 mm <sup>2</sup>	PA66-GF30	ORANGE SIMILAR TO RAL 2003 Aehnlich RAL2003	1.3
0-2177526-3	15.3±0.25	ANTI ROTATION SAFEGUARD -HV-1POS.-IPT 35 mm <sup>2</sup> Verdrehschutz-HV-1pol. -IPT 35 mm <sup>2</sup>	PA66-GF30	ORANGE SIMILAR TO RAL 2003 Aehnlich RAL2003	1.5
0-2177526-2	13.1±0.25	ANTI ROTATION SAFEGUARD -HV-1POS.-IPT 25 mm <sup>2</sup> Verdrehschutz-HV-1pol. -IPT 25 mm <sup>2</sup>	PA66-GF30	ORANGE SIMILAR TO RAL 2003 Aehnlich RAL2003	1.8
0-2177526-1	11.2±0.25	ANTI ROTATION SAFEGUARD -HV-1POS.-IPT 16 mm <sup>2</sup> Verdrehschutz-HV-1pol. -IPT 16 mm <sup>2</sup>	PA66-GF30	ORANGE SIMILAR TO RAL 2003 Aehnlich RAL2003	1.95
TE PN	DIMENSION A	DESCRIPTION	MATERIAL	COLOR	VOLUME [cm <sup>3</sup> ]

TOLERANCING ISO 8015  
 TOLERIERUNG ISO 8015

DIESE ZEICHNUNG IST EIN KONTROLLIERTES DOKUMENT.  
 BEMASSUNGEN UND TOLERANZEN GEMAESS GPS (ISO STANDARDS).

THIS DRAWING IS A CONTROLLED DOCUMENT.  
 DIMENSIONING AND TOLERANCING PER GPS (ISO STANDARDS).

DIMENSIONS: MASSEINHEITEN: mm	TOLERANCES UNLESS OTHERWISE SPECIFIED: ALLGEMEINTOLERANZEN
0 PLC ±.DIN ISO 2768-m-H	1 PLC ±.DIN 16901-130
2 PLC ±.	3 PLC ±.
4 PLC ±.	ANGLES/WINKEL ±1°
MATERIAL SEE TABLE	FINISH/OBERFLAECHE/FARBE -

**STE** TE Connectivity

NAME: ANTI ROTATION SAFEGUARD  
 HV-1-POS.-IPT  
 Verdrehschutz-HV-1 pol.-IPT

APVD: F. Kaehny 25APR2013

PRODUCT SPEC: -

APPLICATION SPEC: -

WEIGHT: -

Customer Drawing /KUNDENZEICHNUNG

SCALE: 2:1

SHEET 1 OF 1

REV B

# Mouser Electronics

Authorized Distributor

Click to View Pricing, Inventory, Delivery & Lifecycle Information:

[TE Connectivity:](#)

[2177526-4](#)